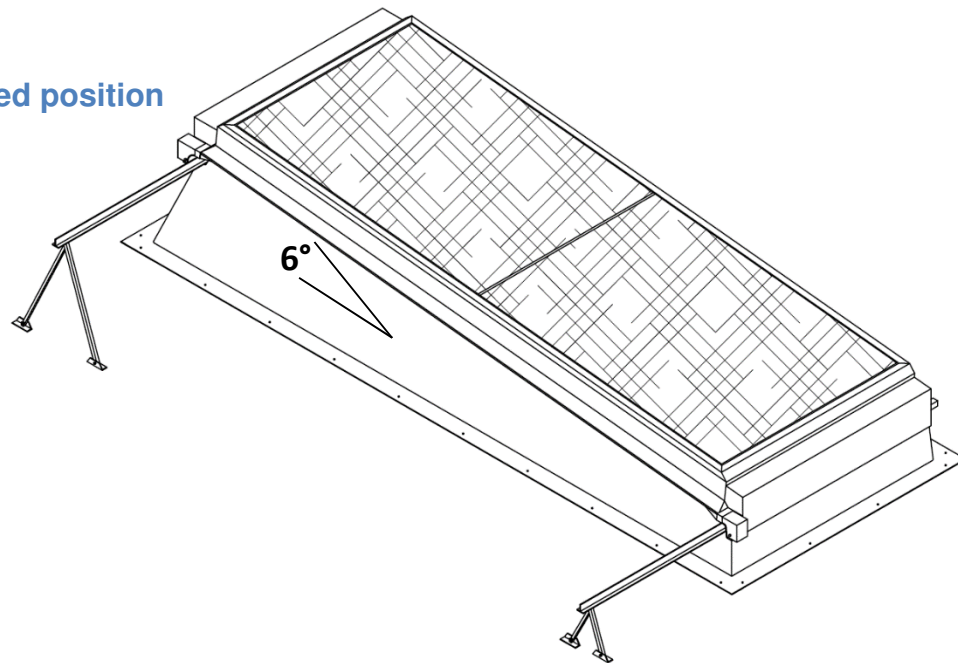


Linear roof exit (1 flap)

CI solution LAMILUX: Huge opening area on GRP upstand of the dimension 120 x 350 cm in connection with a one-part FE element that can be moved horizontally by a motorized opener. The element is suitable as roof exit above stairs and enables a comfortable entering onto the roof. On the interior of the element there are no interfering edges and visible opening aggregations. The element features a high heat insulation – even at the joint area (see isothermal calculation). The element can be provided with functional high quality glazings and is useable thoroughly as roof exit or ventilation device. Due to the 6 ° inclination of the surface a good rainwater run-off is given.

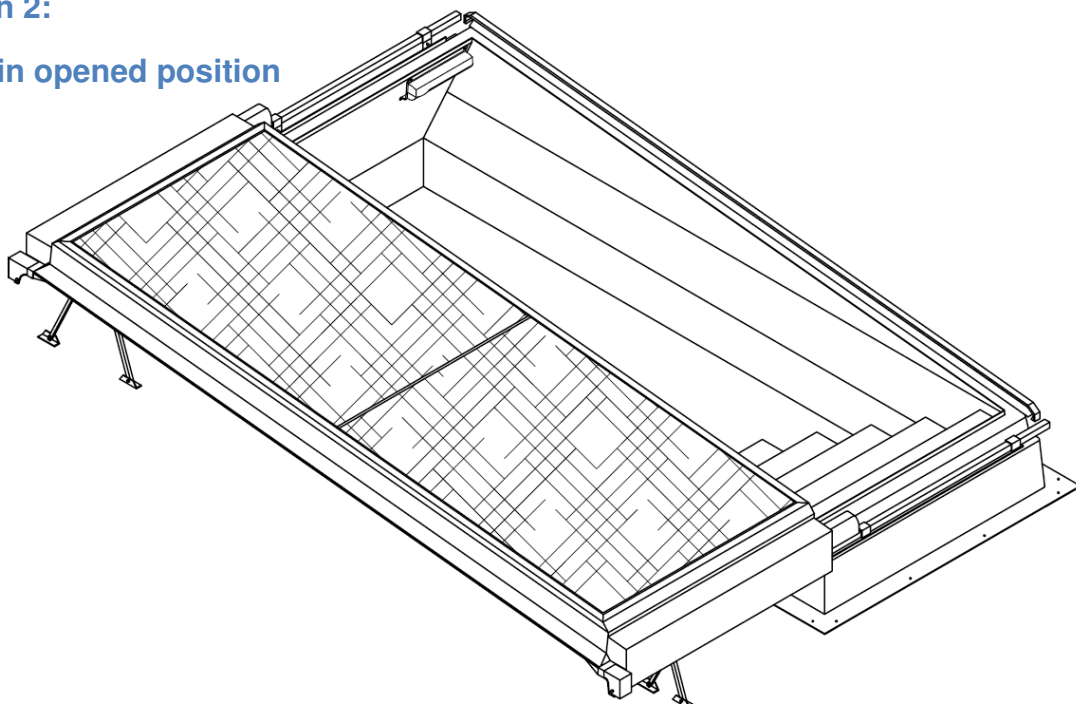
**Illustration 1:**

**Roof exit in closed position**



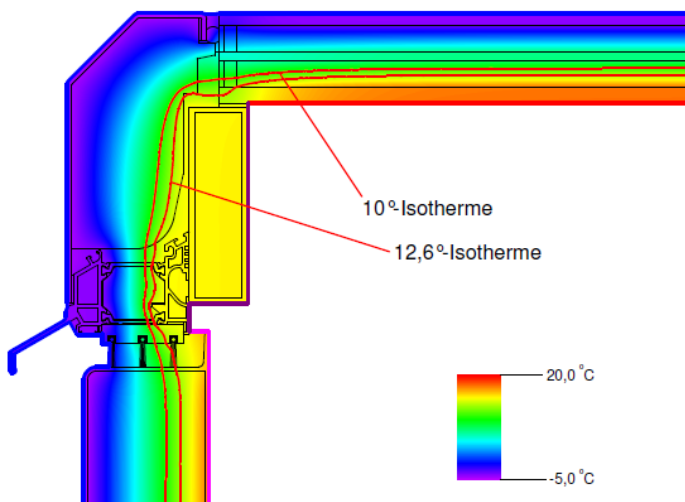
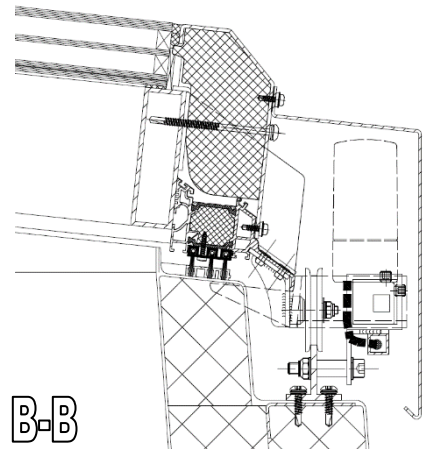
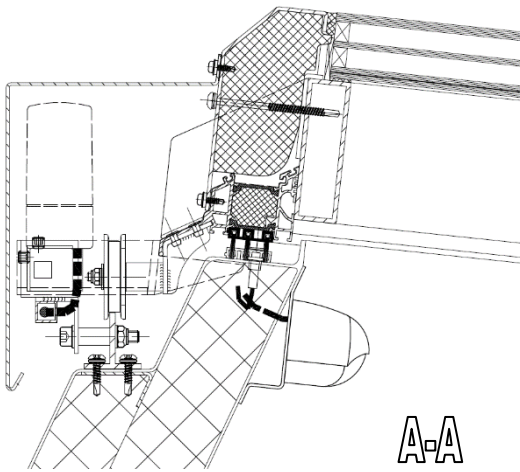
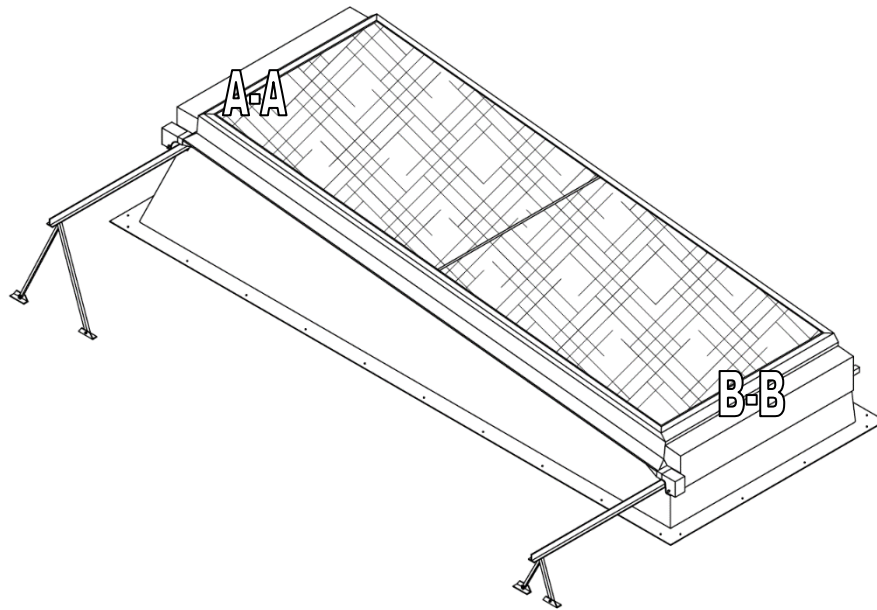
**Illustration 2:**

**Roof exit in opened position**



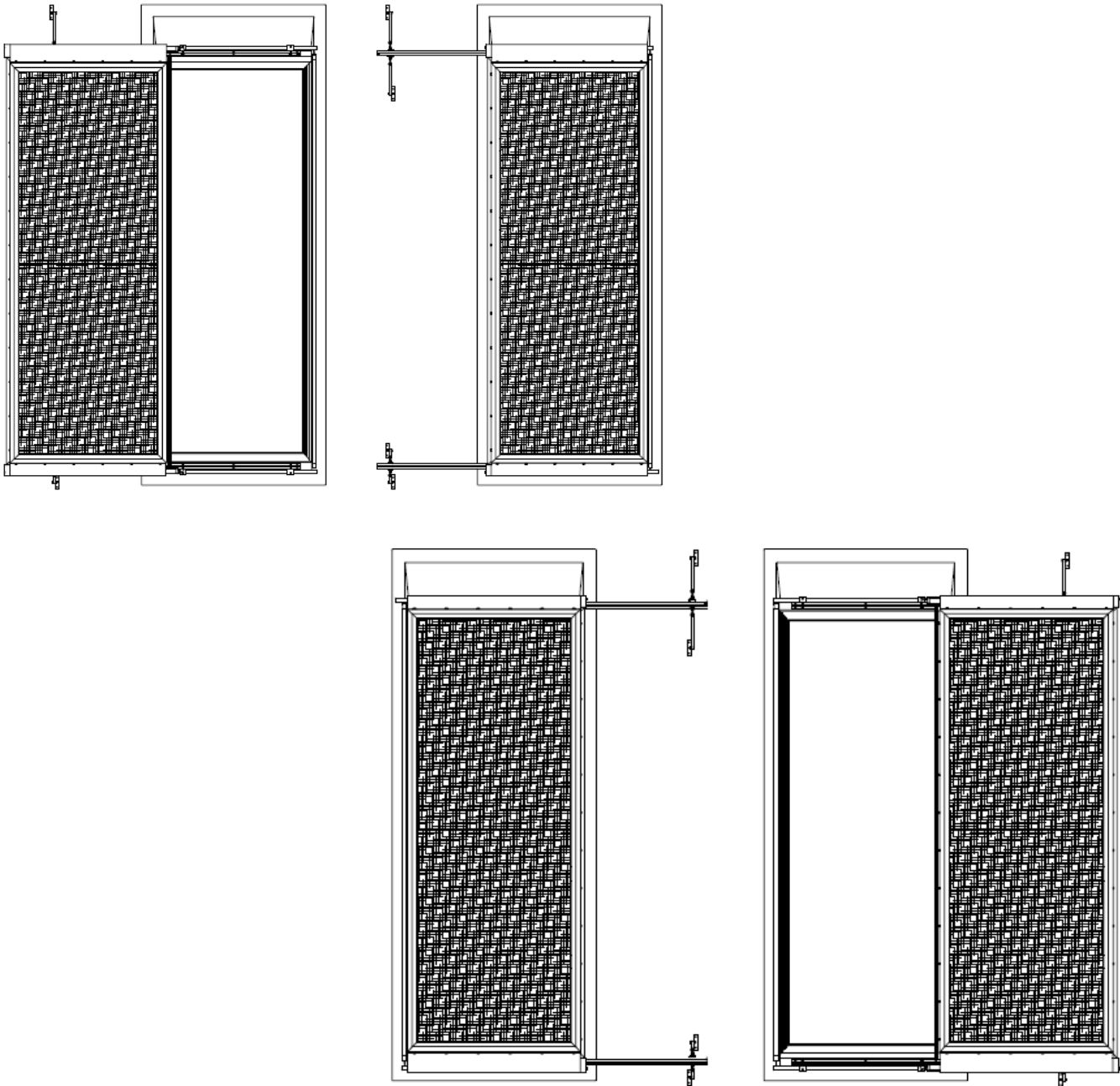
Linear roof exit (1 flap)

Detailed cross sections:

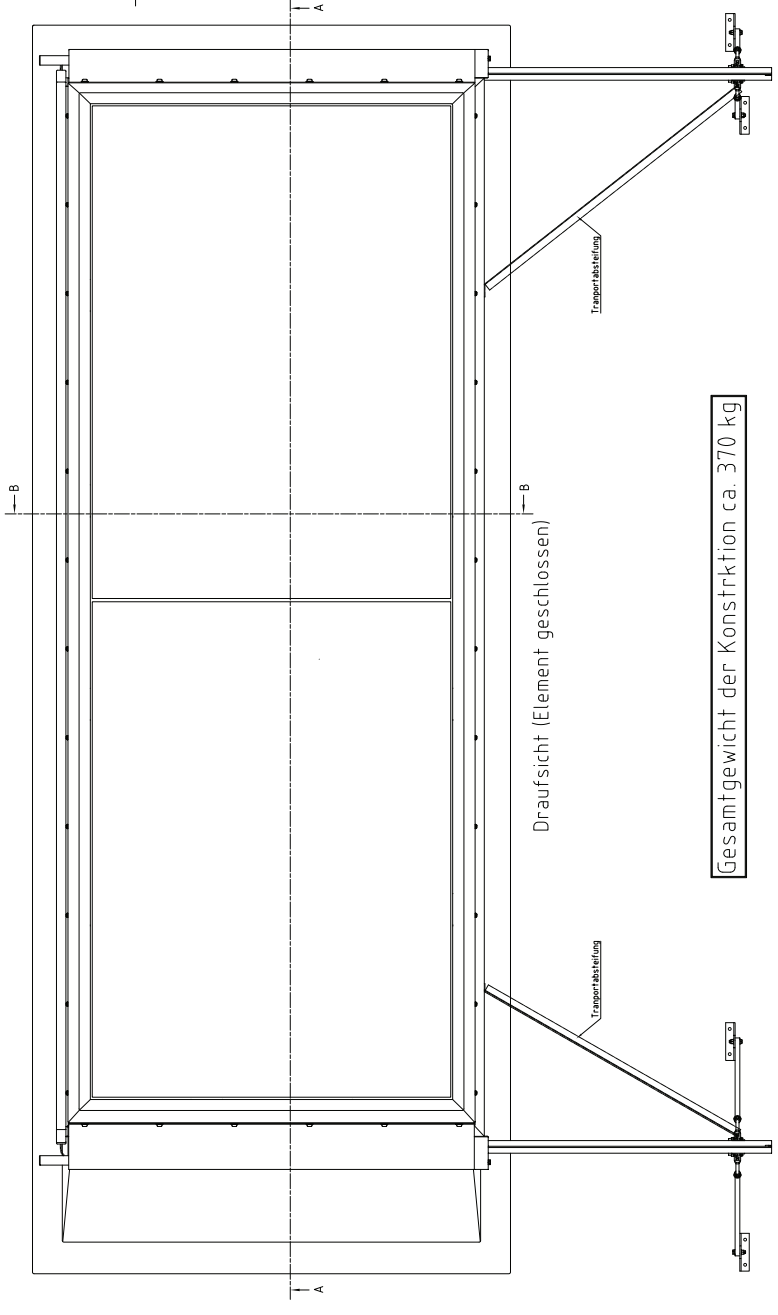
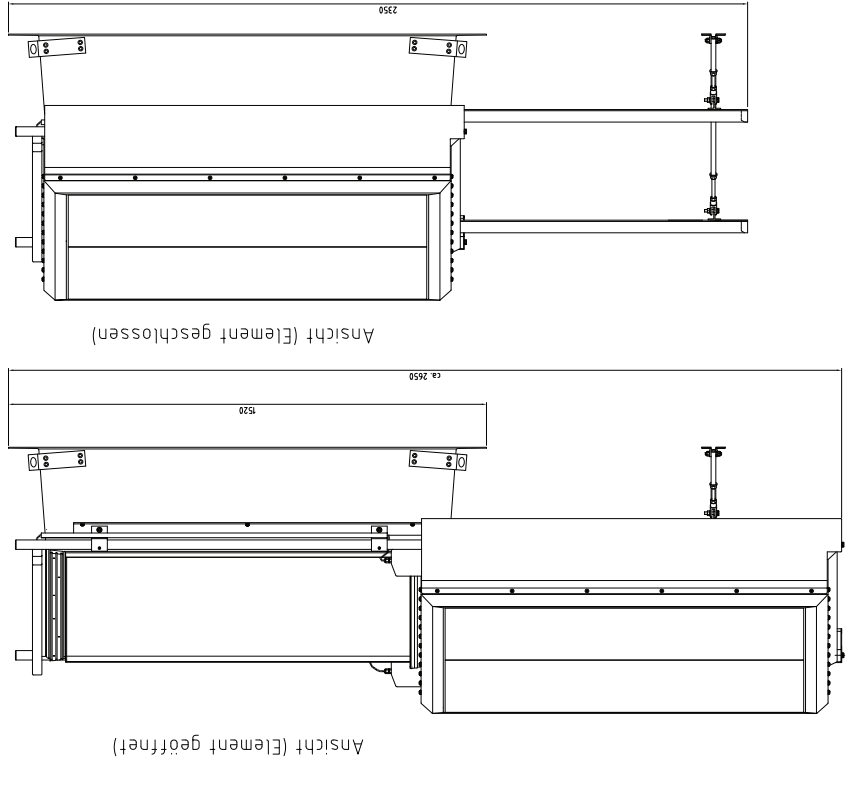
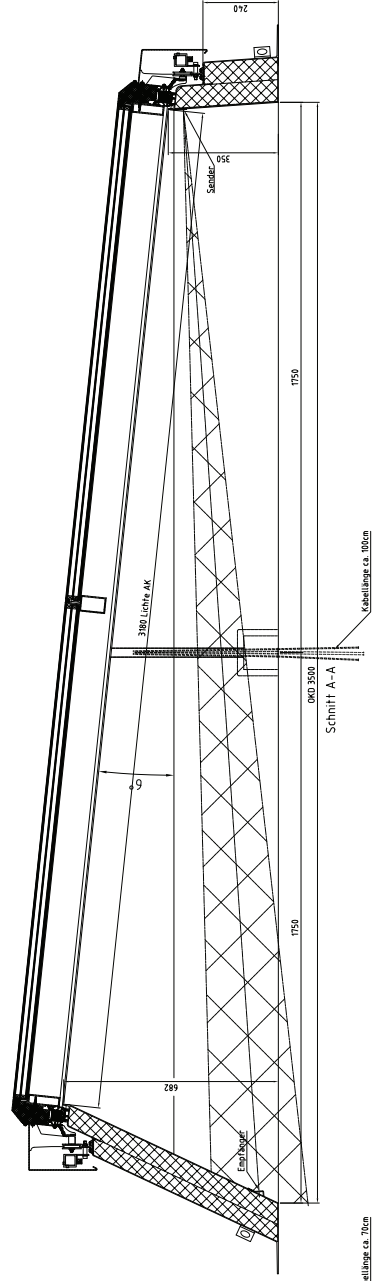
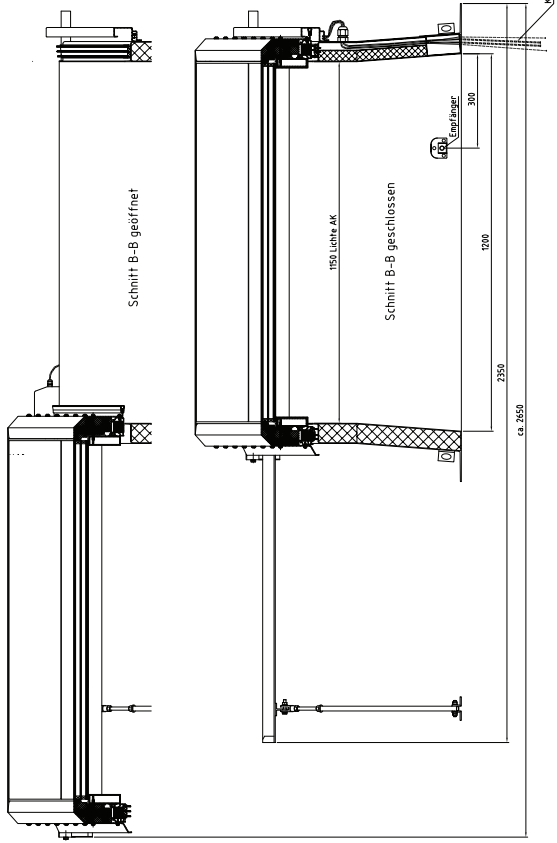


Linear roof exit (1 flap)

**Top view:**



Top roof edge size in cm	Interior roof opening in cm	Opening dimension Roof exit (opened on both sides) in cm	Weight
120 x 350	115 x 318	approx.. 110 x 318	approx.. 370kg
Glazing with all FE triple isolation and sun protection glazings but including toughened safety glass as outer pane			
<ul style="list-style-type: none"> <li>• Ventilation infinitely variable by pushbutton</li> <li>• secured closing by photoelectric barrier</li> <li>• two 24 V openers, weather protected, incl. control unit</li> <li>• Current consumption of motors 1A</li> </ul>			



Gesamtgewicht der Konstruktion ca. 370 kg

OKD 1,2 x 3,5 m  
 U<sub>g</sub> = 0,6 W/(m<sup>2</sup>·K)  
 lichter Durchgang ca. 1,10 x 3,18  
 Neigung 6°  
 Laufzeit E-Motor ca. 2,5 min  
 Außenscheibe ESG  
 flächenbündige Verglasung

Produktname OKD 1,2 x 3,5 m	Systembezeichnung OKD 1,2 x 3,5 m
Hersteller OKD	Systembezeichnung OKD 1,2 x 3,5 m
Material Alu	Systembezeichnung OKD 1,2 x 3,5 m
Farbe RAL 9006	Systembezeichnung OKD 1,2 x 3,5 m
Ausführung RD 1421 b	Systembezeichnung OKD 1,2 x 3,5 m
Motor OKD	Systembezeichnung OKD 1,2 x 3,5 m
Laufzeit ca. 2,5 min	Systembezeichnung OKD 1,2 x 3,5 m
U <sub>g</sub> 0,6 W/(m <sup>2</sup> ·K)	Systembezeichnung OKD 1,2 x 3,5 m
lichter Durchgang ca. 1,10 x 3,18	Systembezeichnung OKD 1,2 x 3,5 m
Neigung 6°	Systembezeichnung OKD 1,2 x 3,5 m
Außenscheibe ESG	Systembezeichnung OKD 1,2 x 3,5 m
flächenbündige Verglasung	Systembezeichnung OKD 1,2 x 3,5 m