

DESIGNED AND MANUFACTURED ACCORDING TO EN 1495 CE STANDARD

SAECLIMBER S.L. IS A COMPANY CERTIFIED ISO 9001 : 2019 BY AENOR

TECHNICAL DATA

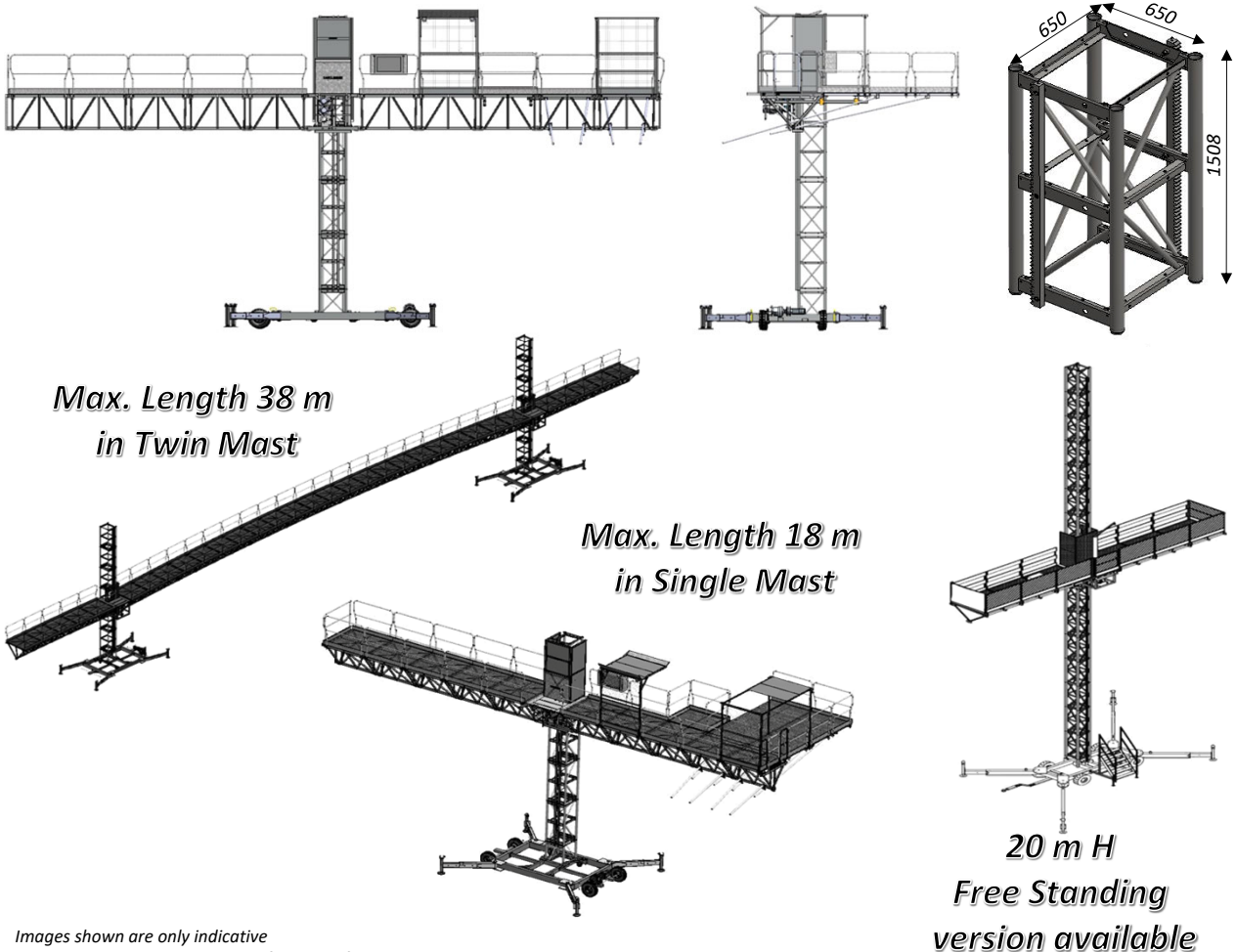
Max Length Twin Mast	38 m	Max Length Single Mast	18 m
Max Payload Twin Mast	11460 Kg	Max Payload Single Mast	5900 Kg
Motors Power Twin Mast	2 x 3 x 3,7 Kw	Motors Power Single Mast	3 x 3,7 Kw
Speed	9 m / min	Motors per drive unit	3
Platform deck width	1,5 m	Standard wall extensions	1,2 m (longer available on request) (*)
Wall Ties Distance	9 m/ 12 m	Free Standing Height	12 m - (20 m with Free Standing chassis)
Mast element weight	140 Kg	Mast element dim. (mm)	650 x 650 x 1508
Max working height	250 m	Power Supply	400 V - 50 Hz - Threephase (*)

SAFETY FEATURES

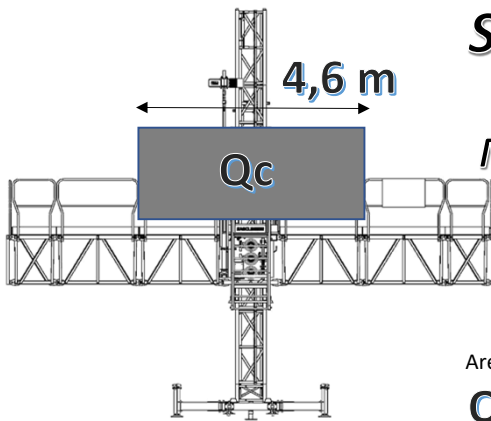
- First class geared motors self braking type
- Centrifugal emergency brake for each geared-motor with automatic activation in case of overspeed
- Device for manual descent in case of power failure
- Castor wheels on the base for easy placement
- Mast protection nets
- Low voltage Electrical panel
- Detection of correct phase
- Limit switch checking mast element presence
- Emergency push button
- Sound alarm when platform moving
- Automatic levelling device in twin mast configuration checked by double limit switch
- Erection left / right drive unit stop
- Levelling Jacks and Rubber shock absorbers included in the base
- Rack interrupted on the terminal mast element to avoid overrun
- Industry 4.0 remote control through app (**)
- Changing phase device
- Limit switch for doors, up, down, overrun and Emergency
- Double Limit switch up / down / levelling

The Manufacturer reserves the right to change any of the above data without notice

NOTES: (*) Other values on request - (**) Optional



P50 S : SINGLE MAST - LOAD DISTRIBUTION - 3 x 3,7 kw							
Total Length	4,6 m	7,6 m	10,6 m	13,6 m	16,6 m	18,2 m	
num. of Left decks	1	2	3	4	5	5+1	
num. of Right decks	1	2	3	4	5	5+1	
Qc	[Kg]	5900	5400	5000	4700	4000	3600
Qd	[Kg]	5900	4000	2600	2100	1600	1400



Single Mast

5900 Kg

Max payload

Qc : Concentrated load

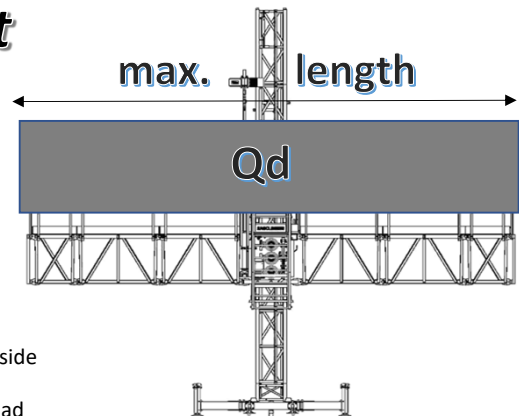
Area : Drive unit + 1 deck each side

Qd : Evenly distributed load

Area : all along the platform

Qc = Concentrated Load

including  (240 Kg)



Qd = Evenly distributed load

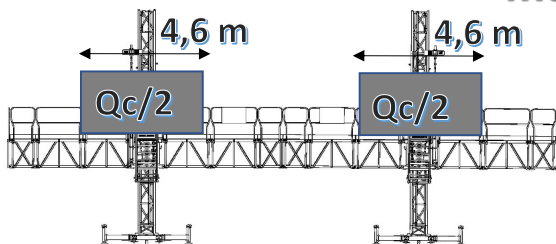
including  (240 Kg)

P50s TWIN MAST - LOAD DISTRIBUTION											
Total Length	8,2 m	12,7 m	17,2 m	20,2 m	24,7 m	26,2 m	27,7 m	30,7 m	33,7 m	35,2 m	38,2 m
num. of decks each wing	1	1	2	2	3	3	3	4	4	4	5
num. of decks between masts	2	5	6	8	9	10	11	11	13	14	14
Qc	[Kg]	11460	10700	10000	9540	8820	8580	8340	7860	7370	6650
Qd	[Kg]	11460	8970	6100	5890	4400	3340	2850	2430	2190	1800

Twin Mast

11460 Kg

Max payload



Qc/2 : Concentrated load

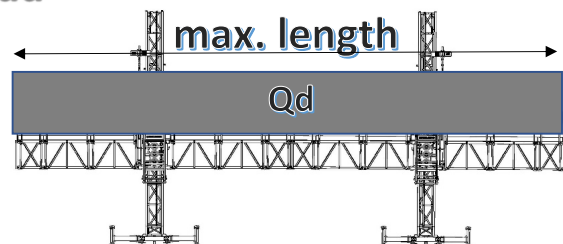
Area : Drive unit + 1 deck each side

Qd : Evenly distributed load

Area : all along the platform

Qc = Concentrated Load

including  (600 Kg)



Qd = Evenly distributed load

including  (600 Kg)