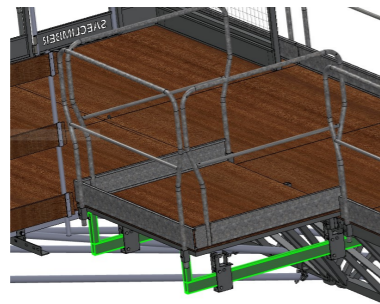


Modular roof



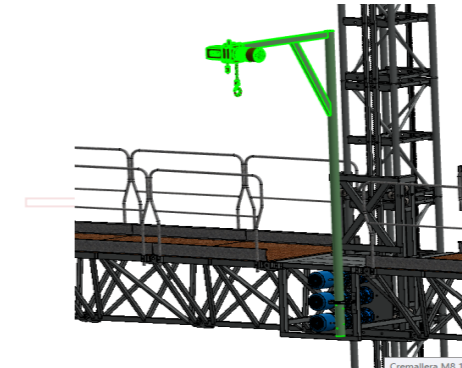
ROLLING DECK: easy extensions moving from deck top.



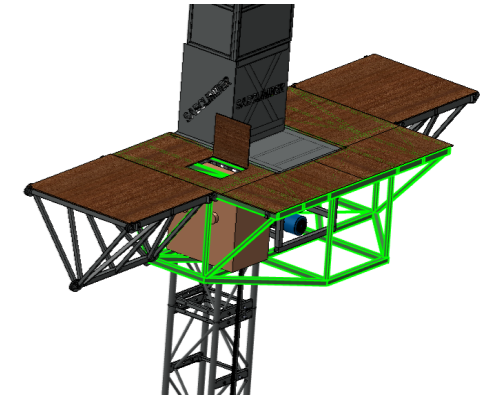
Bricklaying useful extensions.



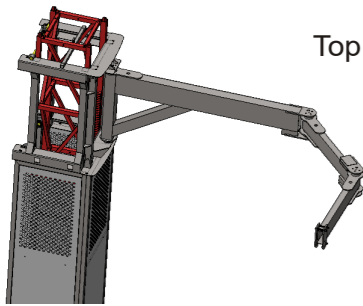
EMOS + 4.0 ELECTRONIC CARDS:
This electronic devices included on the power panel, allows remote monitoring and balanced motors consumption.



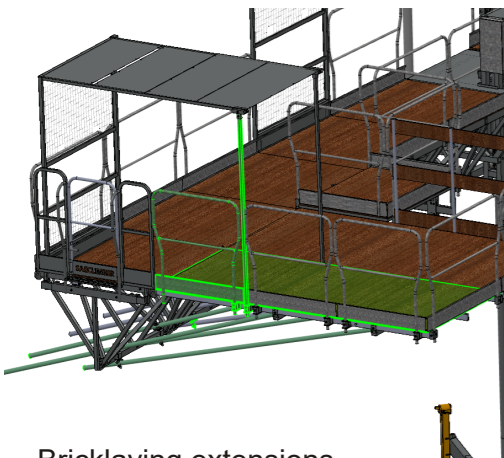
Mast lift crane



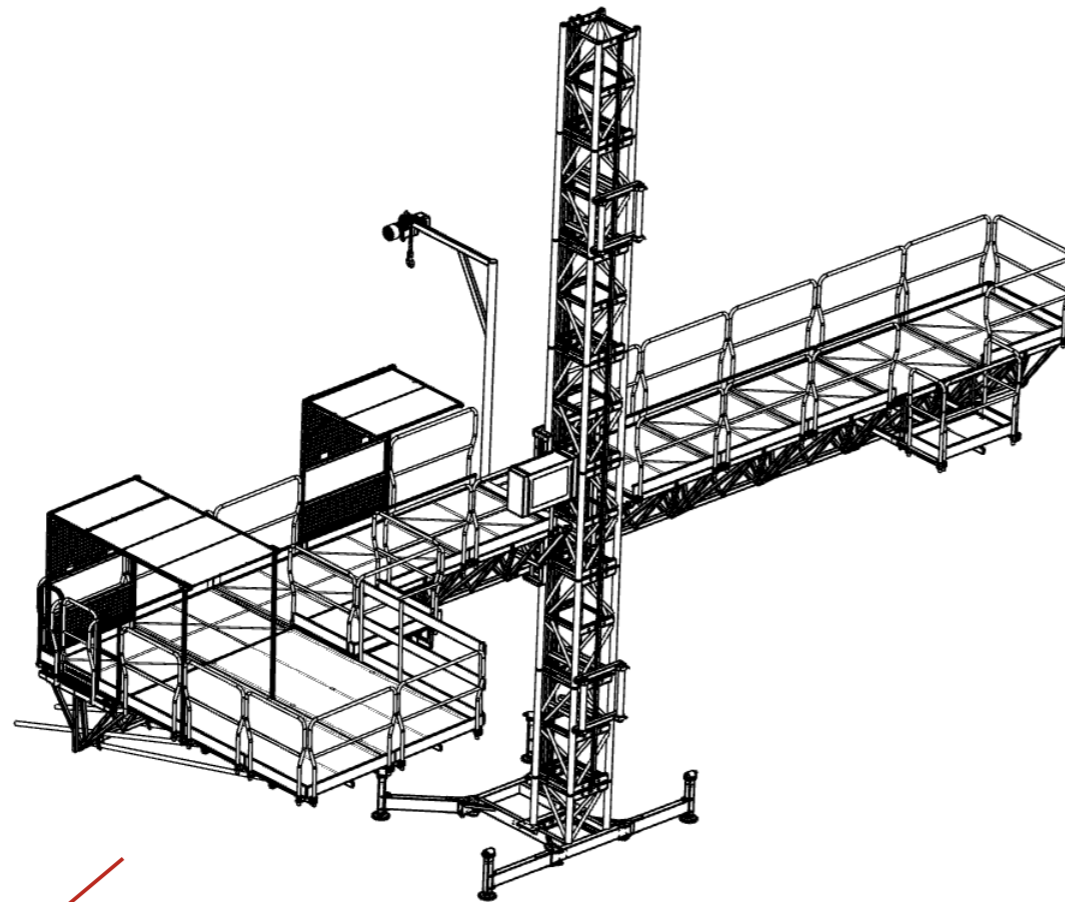
Big main frame



Top jib crane.

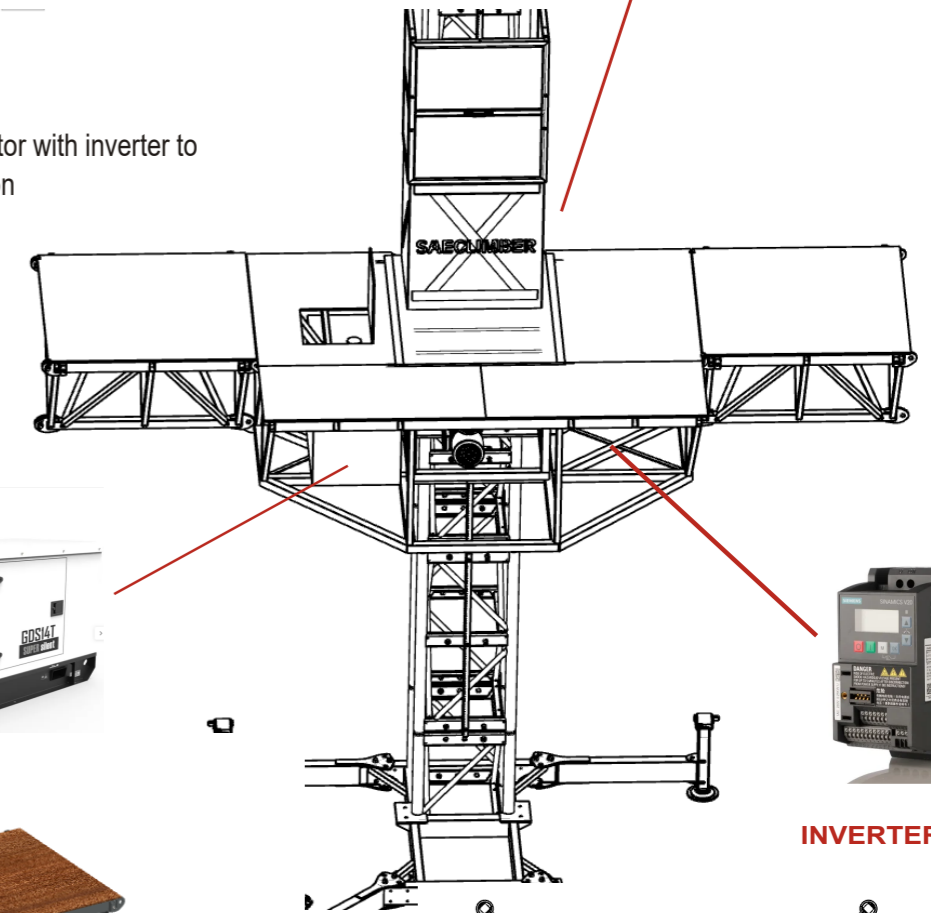


Bricklaying extensions.

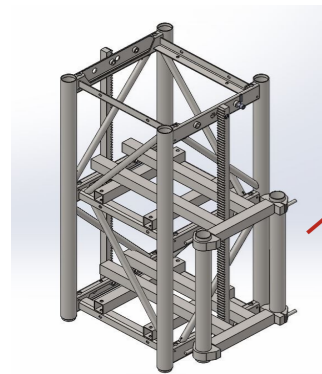


Self propelled set :
This set includes a generator with inverter to avoid any power connection

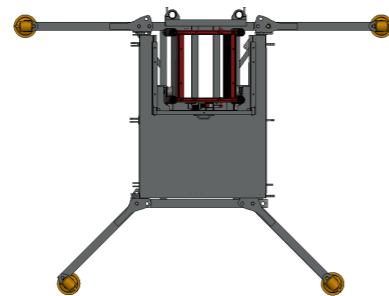
GENERATOR



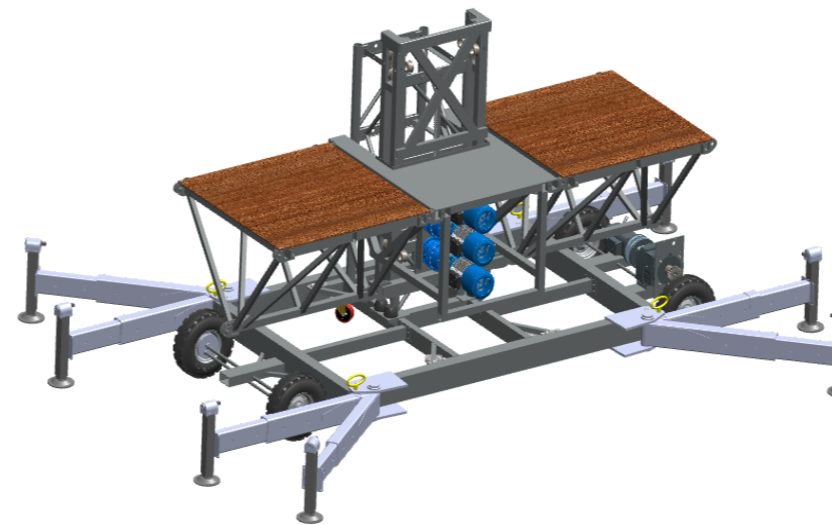
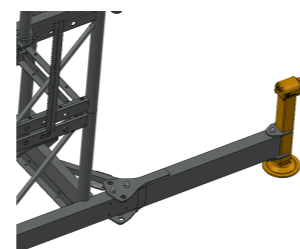
INVERTER



Multiple tie systems.



Flexible base ; with robust jacks for easy levelling



FREE STANDIG BASED MOTORIZED : Included robust outriggers to adapt it on the job site conditions.

