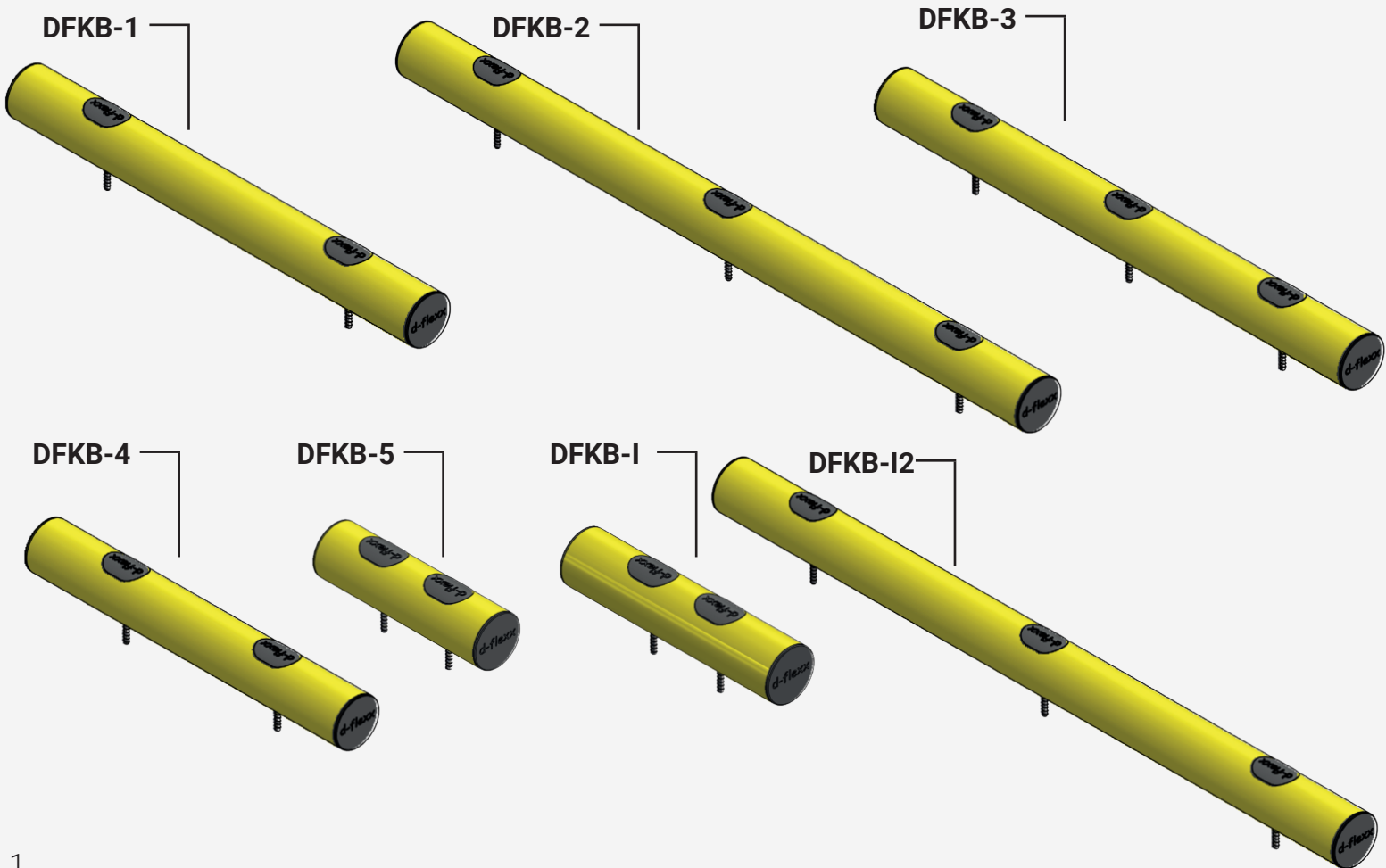




# Kerb Barrier - MIKE



# Table of contents

Art. No.	Description	Width	Weight	Page
DFKB-1	Kerb Barrier	1300 mm	5,261 kg	3
DFKB-2	Kerb Barrier	2000 mm	8,407 kg	3
DFKB-3	Kerb Barrier	1500 mm	5,595 kg	4
DFKB-4	Kerb Barrier	1000 mm	4,458 kg	4
DFKB-5	Kerb Barrier	500 mm	2,532 kg	5
DFKB-I	Kerb Barrier individual	400 - 1499 mm		5
DFKB-I2	Kerb Barrier individual	1500 - 2000 mm		6

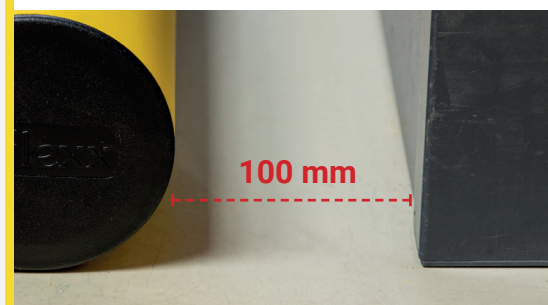
## Technical Information

### Material properties

Operational temperature range	-40° up to + 50°
Ignition Temperature	350 - 360°C
Flash Point	350 - 360°C
Toxicity	Nontoxic
Chemical Resistance	high - ISO/TR 10358
Hygiene Seals	Non
Standard Warranty	5 years

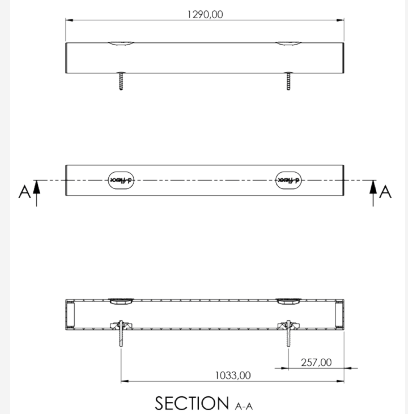
Deflection Zone:

**I** 100 mm



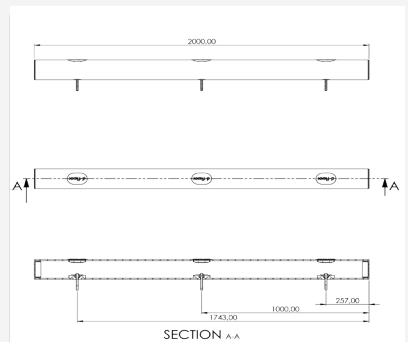
# DFKB-1

Article description	Kerb barrier 1300 mm
Item number	DFKB-1
EAN	4250912395619
Customs tariff number	39269097
Width (mm)	1290
Height (mm)	193
Depth/Length (mm)	140
Installation width (mm)	1290
Width without foot plate (mm):	N/A
Depth without foot plate (mm):	N/A
Deflection zone (mm)	100
Tested to withstand force (Joule):	N/A
Net weight	5,261 kg
Material	Polyethylene
Color	Black - Yellow RAL 1018
Area of application	Indoor and outdoor use
Fixing	Fixing Material included. 2 x concrete screw M12x110



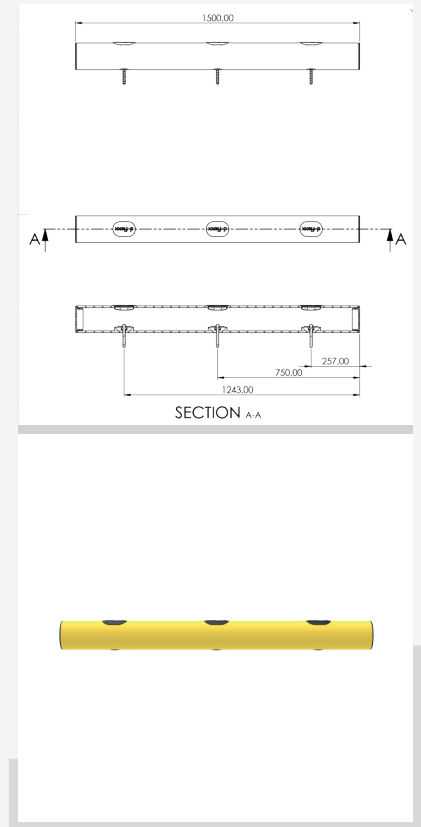
# DFKB-2

Article description	Kerb barrier 2000 mm
Item number	DFKB-2
EAN	4250912395626
Customs tariff number	39269097
Width (mm)	2000
Height (mm)	215
Depth/Length (mm)	140
Installation width (mm)	2000
Width without foot plate (mm):	N/A
Depth without foot plate (mm):	N/A
Deflection zone (mm)	100
Tested to withstand force (Joule):	N/A
Net weight	8,407 kg
Material	Polyethylene
Color	Black - Yellow RAL 1018
Area of application	Indoor and outdoor use
Fixing	Fixing Material included. 3 x concrete screw M12x110



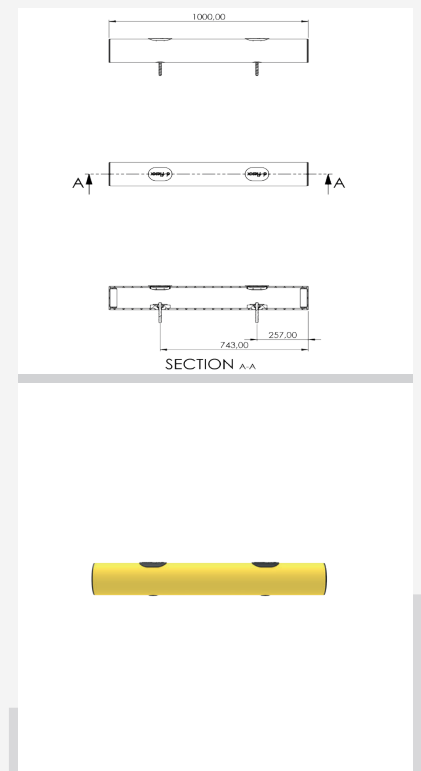
# DFKB-3

Article description	Kerb barrier 1500 mm
Item number	DFKB-3
EAN	4250912395657
Customs tariff number	39269097
Width (mm)	1500
Height (mm)	215
Depth/Length (mm)	140
Installation width (mm)	1500
Width without foot plate (mm):	N/A
Depth without foot plate (mm):	N/A
Deflection zone (mm)	100
Tested to withstand force (Joule):	N/A
Net weight	5,595 kg
Material	Polyethylene
Color	Black - Yellow RAL 1018
Area of application	Indoor and outdoor use
Fixing	Fixing Material included. 3 x concrete screw M12x110



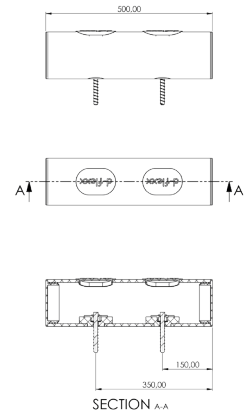
# DFKB-4

Article description	Kerb barrier 1000 mm
Item number	DFKB-4
EAN	4250912395664
Customs tariff number	39269097
Width (mm)	1000
Height (mm)	215
Depth/Length (mm)	140
Installation width (mm)	1000
Width without foot plate (mm):	N/A
Depth without foot plate (mm):	N/A
Deflection zone (mm)	100
Tested to withstand force (Joule):	N/A
Net weight	4,458 kg
Material	Polyethylene
Color	Black - Yellow RAL 1018
Area of application	Indoor and outdoor use
Fixing	Fixing Material included. 2 x concrete screw M12x110



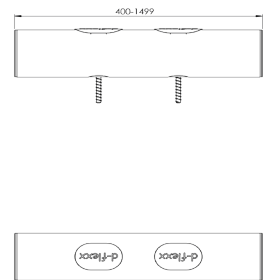
# DFKB-5

Article description	Kerb barrier 500 mm
Item number	DFKB-5
EAN	4250912395787
Customs tariff number	39269097
Width (mm)	500
Height (mm)	193
Depth/Length (mm)	140
Installation width (mm)	1500
Width without foot plate (mm):	N/A
Depth without foot plate (mm):	N/A
Deflection zone (mm)	100
Tested to withstand force (Joule):	N/A
Net weight	2,532 kg
Material	Polyethylene
Color	Black - Yellow RAL 1018
Area of application	Indoor and outdoor use
Fixing	Fixing Material included. 2 x concrete screw M12x110



# DFKB-I

Article description	Kerb barrier individual
Item number	DFKB-I
EAN	4250912395633
Customs tariff number	39269097
Width (mm)	400-1499
Height (mm)	140
Depth/Length (mm)	140
Installation width (mm)	400 - 1499
Width without foot plate (mm):	N/A
Depth without foot plate (mm):	N/A
Deflection zone (mm)	100
Tested to withstand force (Joule):	N/A
Net weight	N/A
Material	Polyethylene
Color	Black - Yellow RAL 1018
Area of application	Indoor and outdoor use
Fixing	Fixing Material included. 2 x concrete screw M12x110



# DFKB-I2

Article description	Kerb barrier individual 1500 - 2000 mm
Item number	DFKB-I2
EAN	4250912395640
Customs tariff number	39269097
Width (mm)	1500 - 2000
Height (mm)	140
Depth/Length (mm)	140
Installation width (mm)	1500 - 2000
Width without foot plate (mm):	N/A
Depth without foot plate (mm):	N/A
Deflection zone (mm)	100
Tested to withstand force (Joule):	N/A
Net weight	N/A
Material	Polyethylene
Color	Black - Yellow RAL 1018
Area of application	Indoor and outdoor use
Fixing	Fixing Material included. 3 x concrete screw M12x110

