



LED 'FOOD' UFO High-Bay Light



Better solutions for a Led Highbay Light

- IP65 water-proof
- AC100-277V 50/60Hz
- Easy Installation
- 135Lm/w

Options

Power	Color	Beam Angle
MEAN WELL DRIVER	3000K	50°
HBG series A: Standard on/off	4000K	90°
HBG series B: Dimmable	5700K	
HBG series AB: Dimmable		



Application

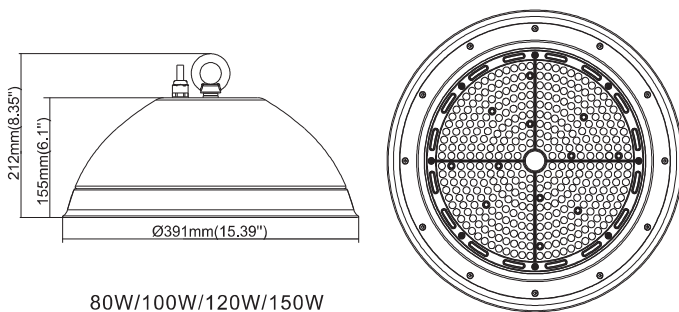
Factories, Steel Mills, Steel Smelting Plants, Manufacturing Plants & Warehouses
Farms and Industrial Installations, sport Facilities & Workshops, Storage Facilities & Warehouses
Supermarkets & Department Stores, Showrooms, Design Centers & Galleries.

Specifications

Power	Lumen	Leds	CRI	Weight	Beam Angle
80W	10800Lm	LUMILEDS 3030	> 80	3.70kg	50°/90°
100W	13500Lm	LUMILEDS 3030	> 80	3.70kg	50°/90°
120W	16200Lm	LUMILEDS 3030	> 80	4.64kg	50°/90°
150W	20250Lm	LUMILEDS 3030	> 80	5.26kg	50°/90°

Dimensions(mm)

Photometry



50°

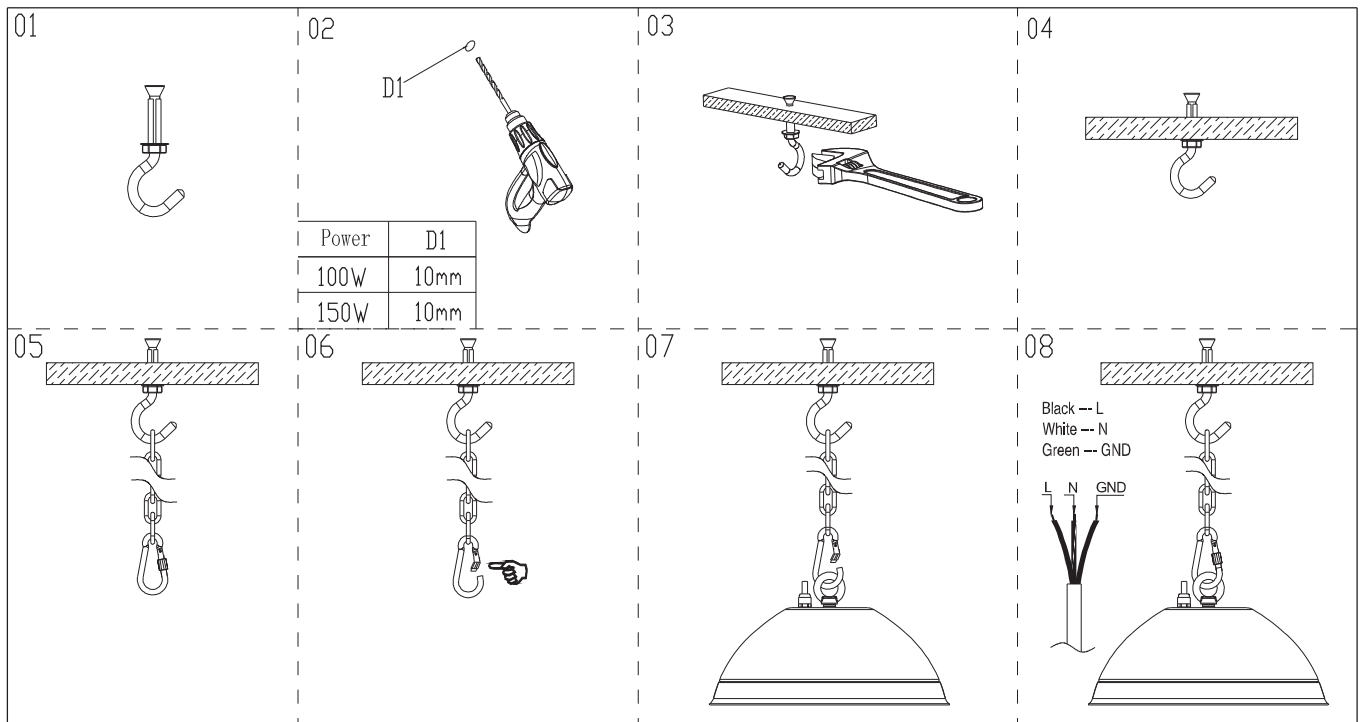
90°



LED 'FOOD' UFO High-Bay Light



Installation and use



Packing Spec

Item	Box			Carton		
	Measurement(mm)	Gross weight	Pcs/box	Measurement(mm)	Gross weight	Pcs/box
80W/100W	L460*W460*H290	5.78kg	1	L480*W480*H610	13.34 kg	2
100W	L460*W460*H290	5.78kg	1	L480*W480*H610	13.34 kg	2
150W	L460*W460*H290	5.78kg	1	L480*W480*H610	13.34 kg	2