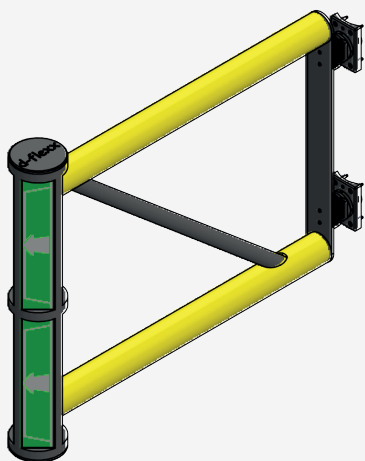
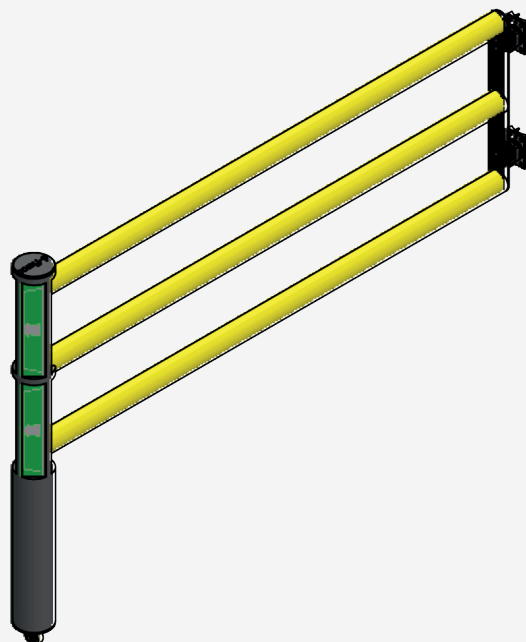




Swingdoor - JULIET FOR DELTA



DFJU-DA800-A
DFJU-DA1000-A
DFJU-DA1200-A



DFJU-DA1500-A
DFJU-DA1750-A
DFJU-DA2000-A

Table of contents

Art. No.	Description	Weight	Page
DFJU-TM	Delta 3 Middle post Juliet Swingdoor	9,0 kg	3
DFJU-TT	Delta 3 T-Pfosten 90° Juliet Swingdoor	8,9 kg	3
DFJU-TW90L	Delta 3 Corner post 90° left Juliet Swingdoor	8,9 kg	4
DFJU-TW90R	Delta 3 Corner post 90° right Juliet Swingdoor	8,9 kg	4
DFJU-TE	Delta 3 End post Juliet Swingdoor	8,7 kg	5
DFJU-TW337.5	Delta 3 Middle post Juliet 337,5°	8,7 kg	5
DFJU-TW315	Delta 3 Middle post Juliet 315°	8,7 kg	6
DFJU-TW45	Delta 3 Middle post Juliet 45°	8,7 kg	6
DFJU-TW67.5	Delta 3 Middle post Juliet 67,5°	8,7 kg	7
DFJU-TW22.5	Delta 3 Middle post Juliet 22,5°	8,7 kg	7
DFJU-TW292.5	Delta 3 Middle post Juliet 292,5°	8,7 kg	8

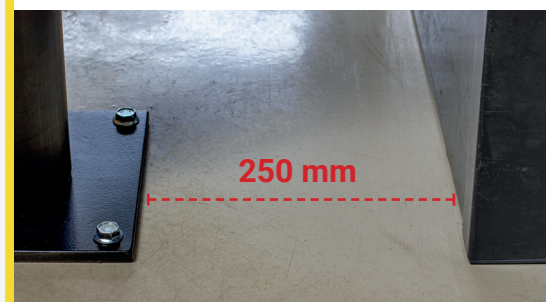
Technical Information

Material properties

Operational temperature range	-40° up to + 50°
Ignition Temperature	350 - 360°C
Flash Point	350 - 360°C
Toxicity	Nontoxic
Chemical Resistance	high - ISO/TR 10358
Hygiene Seals	Non
Standard Warranty	5 years

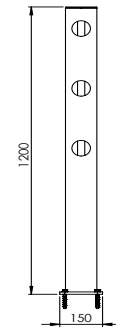
Deflection Zone:

I 250 mm



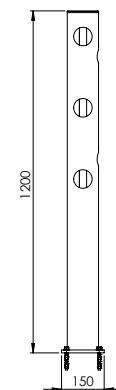
DFJU-TM

Article description	Delta Middle post Juliet
Item number	DFJU-TM
EAN	4250912395282
Customs tariff number	39269097
Width (mm)	150
Height (mm)	1200
Depth/Length (mm)	150
Installation width (mm)	130
Width without foot plate (mm):	110
Depth without foot plate (mm):	110
Deflection zone (mm)	250
Tested to withstand force (Joule):	N/A
Net weight	8,7 kg
Material	Polyethylene
Color	Black
Area of application	Indoor and outdoor use
Fixing	Fixing Material included. 4 x concrete screw M10x70



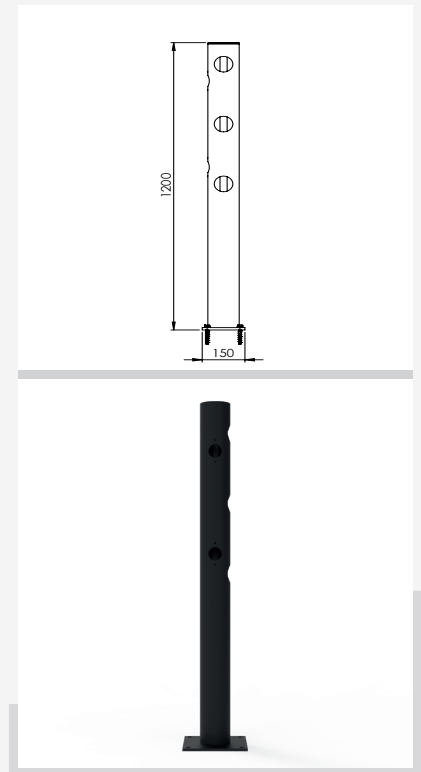
DFJU-TT

Article description	Delta T-post 90° Juliet
Item number	DFJU-TT
EAN	4250912395299
Customs tariff number	39269097
Width (mm)	150
Height (mm)	1200
Depth/Length (mm)	150
Installation width (mm)	130
Width without foot plate (mm):	110
Depth without foot plate (mm):	110
Deflection zone (mm)	250
Tested to withstand force (Joule):	N/A
Net weight	8,7 kg
Material	Polyethylene
Color	Black
Area of application	Indoor and outdoor use
Fixing	Fixing Material included. 4 x concrete screw M10x70



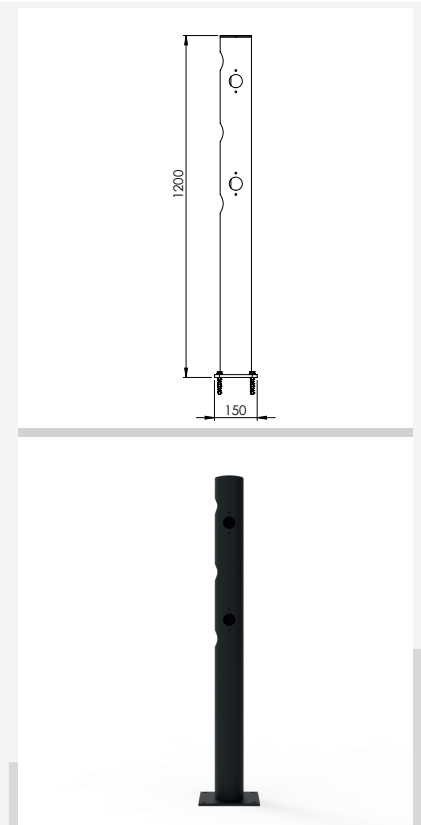
DFJU-TW90L

Article description	Delta Corner post 90° left Juliet
Item number	DFJU-TW90L
EAN	4250912395305
Customs tariff number	39269097
Width (mm)	150
Height (mm)	1200
Depth/Length (mm)	150
Installation width (mm)	130
Width without foot plate (mm):	110
Depth without foot plate (mm):	110
Deflection zone (mm)	250
Tested to withstand force (Joule):	N/A
Net weight	8,7 kg
Material	Polyethylene
Color	Black
Area of application	Indoor and outdoor use
Fixing	Fixing Material included. 4 x concrete screw M10x70



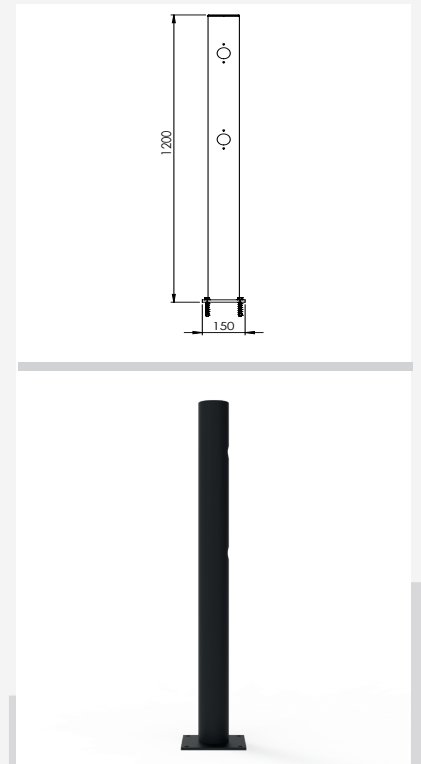
DFJU-TW90R

Article description	Delta Corner post 90° right Juliet
Item number	DFJU-TW90R
EAN	4250912395312
Customs tariff number	39269097
Width (mm)	150
Height (mm)	1200
Depth/Length (mm)	150
Installation width (mm)	130
Width without foot plate (mm):	110
Depth without foot plate (mm):	110
Deflection zone (mm)	250
Tested to withstand force (Joule):	N/A
Net weight	8,7 kg
Material	Polyethylene
Color	Black
Area of application	Indoor and outdoor use
Fixing	Fixing Material included. 4 x concrete screw M10x70



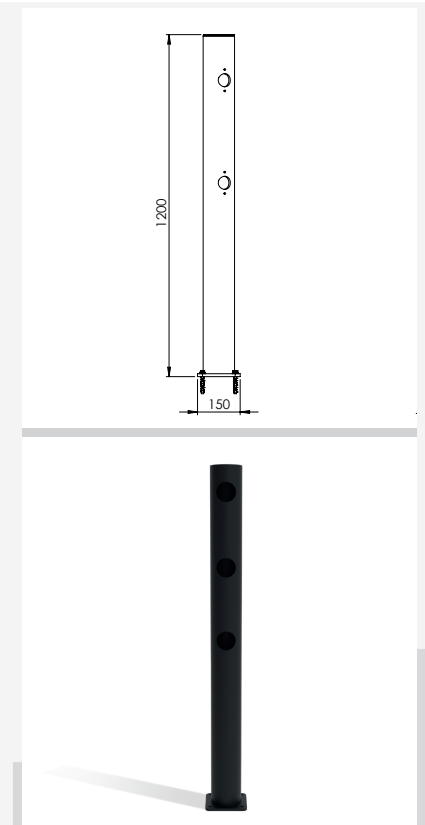
DFJU-TE

Article description	Delta End post Juliet
Item number	DFJU-TE
EAN	4250912395077
Customs tariff number	39269097
Width (mm)	150
Height (mm)	1200
Depth/Length (mm)	150
Installation width (mm)	130
Width without foot plate (mm):	110
Depth without foot plate (mm):	110
Deflection zone (mm)	250
Tested to withstand force (Joule):	N/A
Net weight	7,223 kg
Material	Polyethylene
Color	Black
Area of application	Indoor and outdoor use
Fixing	Fixing Material included. 4 x concrete screw M10x70



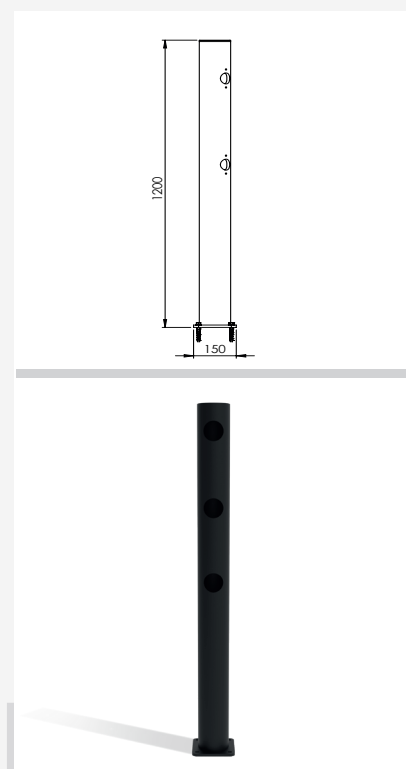
DFJU-TW337.5

Article description	Delta Middle post Juliet 337,5°
Item number	DFJU-TW337.5
EAN	4250912396982
Customs tariff number	39269097
Width (mm)	150
Height (mm)	1200
Depth/Length (mm)	150
Installation width (mm)	130
Width without foot plate (mm):	110
Depth without foot plate (mm):	110
Deflection zone (mm)	250
Tested to withstand force (Joule):	N/A
Net weight	8,7 kg
Material	Polyethylene
Color	Black
Area of application	Indoor and outdoor use
Fixing	Fixing Material included. 4 x concrete screw M10x70



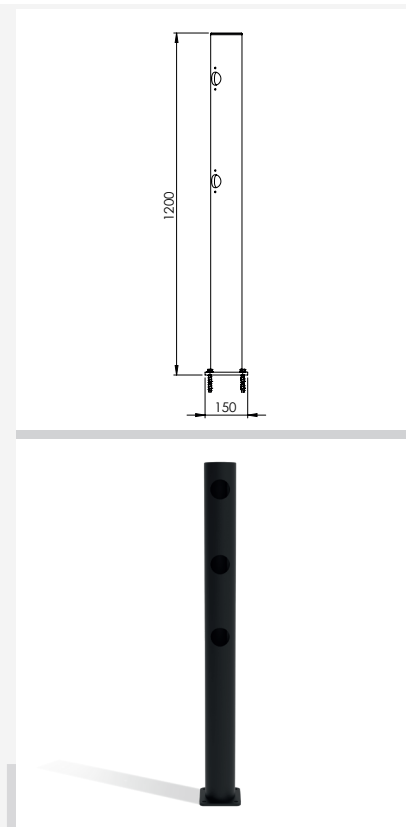
DFJU-TW315

Article description	Delta Middle post Juliet 315°
Item number	DFJU-TW315
EAN	4250912397002
Customs tariff number	39269097
Width (mm)	150
Height (mm)	1200
Depth/Length (mm)	150
Installation width (mm)	130
Width without foot plate (mm):	110
Depth without foot plate (mm):	110
Deflection zone (mm)	250
Tested to withstand force (Joule):	N/A
Net weight	8,7 kg
Material	Polyethylene
Color	Black
Area of application	Indoor and outdoor use
Fixing	Fixing Material included. 4 x concrete screw M10x70



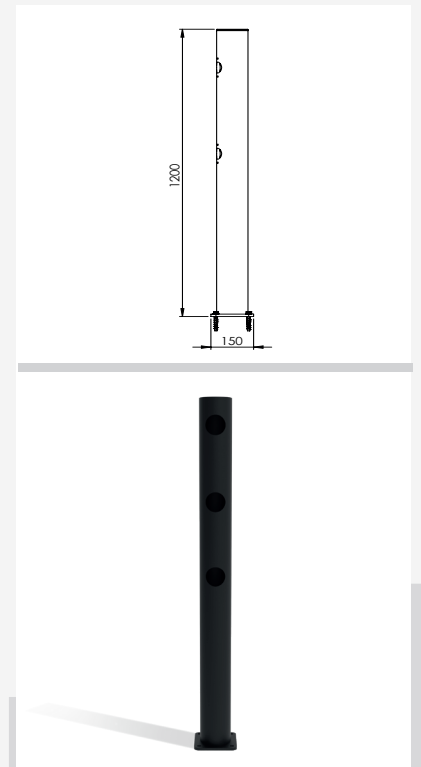
DFJU-TW45

Article description	Delta Middle post Juliet 45°
Item number	DFJU-TW45
EAN	4250912397026
Customs tariff number	39269097
Width (mm)	150
Height (mm)	1200
Depth/Length (mm)	150
Installation width (mm)	130
Width without foot plate (mm):	110
Depth without foot plate (mm):	110
Deflection zone (mm)	250
Tested to withstand force (Joule):	N/A
Net weight	8,7 kg
Material	Polyethylene
Color	Black
Area of application	Indoor and outdoor use
Fixing	Fixing Material included. 4 x concrete screw M10x70



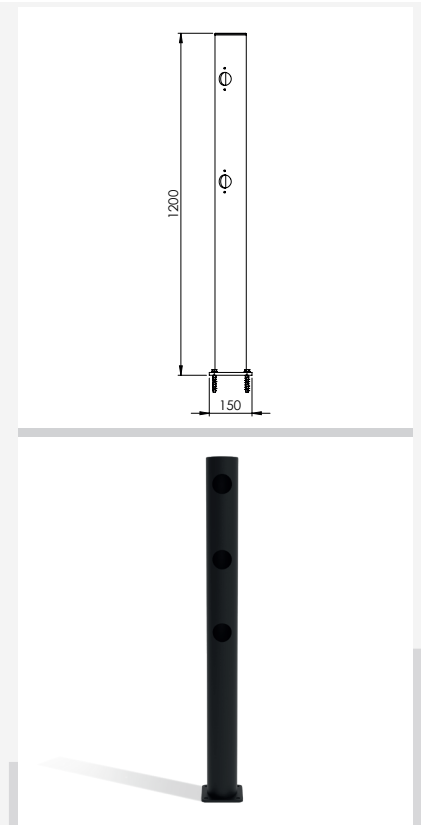
DFJU-TW67.5

Article description	Delta Middle post Juliet 67.5°
Item number	DFJU-TW67.5
EAN	4250912397033
Customs tariff number	39269097
Width (mm)	150
Height (mm)	1200
Depth/Length (mm)	150
Installation width (mm)	130
Width without foot plate (mm):	110
Depth without foot plate (mm):	110
Deflection zone (mm)	250
Tested to withstand force (Joule):	N/A
Net weight	8,7 kg
Material	Polyethylene
Color	Black
Area of application	Indoor and outdoor use
Fixing	Fixing Material included. 4 x concrete screw M10x70



DFJU-TW22.5

Article description	Delta Middle post Juliet 22.5°
Item number	DFJU-TW22.5
EAN	4250912397019
Customs tariff number	39269097
Width (mm)	150
Height (mm)	1200
Depth/Length (mm)	150
Installation width (mm)	130
Width without foot plate (mm):	110
Depth without foot plate (mm):	110
Deflection zone (mm)	250
Tested to withstand force (Joule):	N/A
Net weight	8,7 kg
Material	Polyethylene
Color	Black
Area of application	Indoor and outdoor use
Fixing	Fixing Material included. 4 x concrete screw M10x70



DFJU-TW292.5

Article description	Delta Middle post Juliet 292.5°
Item number	DFJU-TW292.5
EAN	4250912397040
Customs tariff number	39269097
Width (mm)	150
Height (mm)	1200
Depth/Length (mm)	150
Installation width (mm)	130
Width without foot plate (mm):	110
Depth without foot plate (mm):	110
Deflection zone (mm)	250
Tested to withstand force (Joule):	N/A
Net weight	8,7 kg
Material	Polyethylene
Color	Black
Area of application	Indoor and outdoor use
Fixing	Fixing Material included. 4 x concrete screw M10x70

