



Gunnebo SpeedStile FLs

EV Series

Flap Leaf Speed Gate for Internal Installation

GUNNEBO[®]

Flap Leaf Speed Gate for Internal Installation

Motorised flap leaves

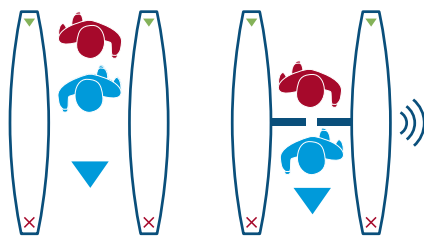
Minimal footprint, transparent and user-friendly design for all users, for sites where limited space is required and aesthetics is important. Quiet and smooth in operation, the SpeedStile FLs EV has rounded end claddings integrating blue or white LEDs to illuminate the cabinet glass, with rounded lids. Available in a selection of cabinet lengths, flap leaf widths, flap leaf heights up to 1800mm, top lid materials, finishes and options.

One-leaf service-gate solution for extra wide service passage, also available. Applications include Leisure, Government, Finance, Banking, Retail, Telecommunications, Information Technology, Publishing, Education...

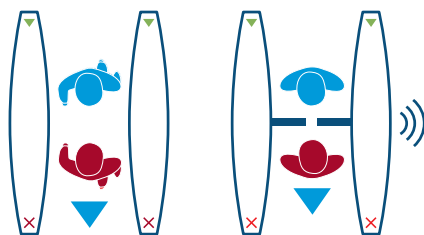
Security Features

Fraud Detection through sophisticated and proven algorithm

Intrusion
Tailgating
Piggybacking
Wrong way direction
Leave aisle timeout



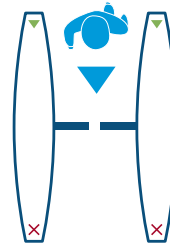
Tailgating and piggybacking detection



Wrong way and intrusion detection

Mode of Operation

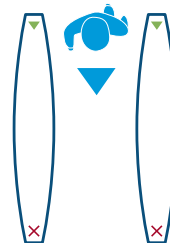
Flap Leaves



Normally Closed

Passage in one or both directions is electronically controlled. On receiving a signal from the access control system, or remote control, the flap leaves open (Normally Closed NC). If an unauthorised person

tries to tailgate or attempts to enter from the opposite direction, the in-built alarm system is activated. If within the pre-set timeout no passage has occurred, the lane will close and reset.



Normally Open

Normally Open N/O provides an open walkway in rest position and will only close at unauthorised entry or tailgating attempts.

Illuminated symbols

Steady light=Normal use. Flashing light=Alarm conditions.



Green Arrow

Steady: Authorised use or designated free passage Proceed through the unit.

Flashing: Emergency/Fire exit.

Red Cross

Steady: Unit in use or no passage. Passage not authorised.

Flashing: Alarm, fraudulent condition or technical alarm.

LED display pictogram indicators flush mounted on the column drive post, with illuminated symbols.



Safety Features

Safety force sensing
Lower safety sensors (option)
Accurate presence sensing
Emitter/receiver infrared sensors technology
Logic voltage 24 V dc
Voltage free contact input for Fire Alarm fail state
Manual push opening on power off
Anti-panic push opening in operation
Wide walkway for wheelchair or easier access
Accompanied wheelchair or child passage management

For security and safety reasons children must be supervised by an adult at all times in the vicinity of an active lane. Any child being escorted through the lane must always precede the accompanying adult during passage.

Design / Construction

Slim and transparent design with rounded end cladding and technopolymer lid in Stainless Steel and glass finish.

Available cabinet design construction:

Glass leaf height: 880mm / 1200mm / 1500mm / 1800mm available for any length.

Length: 1200mm / 1400mm / 1870mm

Standard passage 600mm and Wide passage (900mm) available. Available also as Combi – centre cabinet with narrow (600mm) passage in one side and wide (900mm) passage on the other side.

In order to create a lane it is necessary to have one right and one left cabinet. To create more than one lane, use one or more centre or combi cabinets. Select cabinets according to the number of lanes and passage width desired.



1. Left 2. Right 3. Centre 4. Left Wide 5. Right Wide
6. Centre Left Wide 7. Centre Right Wide 8. Centre Wide



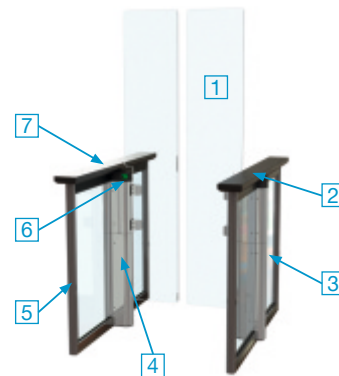
Two lane configuration comprising of 1N°L, 1N°C and 1N°R cabinets (left), and
Two lane configuration comprising of N°1 LW, 1N°CLW and 1N°R cabinet (right).

Finishes

Chassis, plinth, end cladding and rotor column finishing in 304 grade stainless steel and glass inlay 10mm thick.

Standard finish for lid: Black technopolymer

Blue or white LEDs integrated into end cladding illuminate cabinet glass and column.



1. Flap Leaves. 2. Card reader integration. 3. Glass inlay panel.
4. Rotor column. 5. End Leg post. 6. LED display indicators. 7. Lid.

Optional finishes for Lid



Optional finishes for Lid with Solid Corian:



Applied finishes for Lid

White or Black Carbon fibre effect, Dark Mahogany effect or Light Maple effect

Options & Accessories

Alternative finishes and materials	Remote control systems
Lower safety sensor kit	Clear acrylic wings
Card reader integration	One-Leaf Service Gate version to pair with adjacent FLs lanes

Access Specifications

Flow rates by type of reader¹

Insertion type	Swipe type	Proximity type
20 Passages per minute	30 Passages per minute	40 Passages per minute

1. Approximate figures.

Accessibility for Standard (600mm) vs. Wide (900mm) models

Plain dot indicates the functionality is implemented, empty dot indicates some limitations, no dot indicates not available. Emergency egress² functionality implemented as standard.

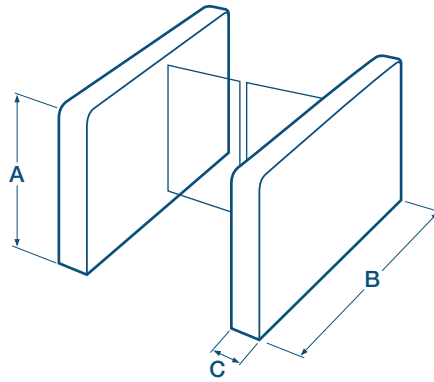
600mm	•	•	•	•	•	•	○	○			○
900mm	•	•	•	•	•	•	○	○	•	•	•

Disabled Access: 900mm net passage way and algorithm able to manage wheelchair access.
 2. In the event of a power failure the flap leaves will remain in the current position.

Electrical Data & Conditions of Use

Power Supply	Power Rating	Power Rating	Fire Signal	Operating Temperature	IP Rating	Noise Level
230Vac 50Hz ¹	20VA Stand by	120VA In operation	Input for voltage free contact	+5°C to + 40°C RH 95% No condensing	IP20	Less than 55dB ²

1. 115Vac 60Hz also available on demand. 2. Note: Average background noise in office environment is 50-55dB



Dimensions & Weights

	Glass leaves Overall Height	Passage Width	A Cabinet Height	B Cabinet Length	C Cabinet Width ¹	Weight (kg) Side Cabinet	Weight (kg) Centre Cabinet
Standard 1200	880/1200/1500 /1800	600	940	1200	120	60	75
Wide 1200	880/1200/1500 /1800	900	940	1200	120	63	81
Standard 1400	880/1200/1500 /1800	600	940	1400	120	65	80
Wide 1400	880/1200/1500 /1800	900	940	1400	120	68	86
Standard 1800	880/1200/1500 /1800	600	940	1870	120	75	90
Wide 1800	880/1200/1500 /1800	900	940	1870	120	78	96

Dimensions in (mm). Weight net (kg). Might require lifting equipment. For details refer to installation detail drawings.
 1. Add 65mm for side cabinet or 130mm for centre cabinet due to column rotor

Installation & Maintenance

Product Delivery	Application	Site Preparation ¹	Cabling & Conduits ²	Control Board Location	Systems Integration ⁵	Systems Integration ⁵	Maintenance Access	MTTR ³	MCBF ⁴
Pre-assembled or kit form as option	Indoor	Flat & level finished floor +/- 5mm	Through the ground	Into rotor column	27 digital interface I/O RS232 RS485	Settings programmable via parameters	Drive column and lid access	Less than 30 minutes	4 million (5 million if NO)

1. Bolting depth MIN 70mm, concrete MIN fckcube30N/mm² resistance, MIN 1300 (1500 or 2000 depending on the cabinet length) x 400 x150mm deep. 2. Running MIN 140mm below finished floor level, should rise MIN 50mm from foundation. 3. Mean time To Repair. 4. Mean Cycle Between Failure. 5. Potential free contact for card reader input. New Electronic Platform with in-built RS485 and COMR1 switching interface

It is the customer's responsibility to ensure the structural integrity and strength of the installation location.

Data provided is for information only, please refer to your usual Gunnebo Customer Service contact in order to prepare the installation site.



Want to see SpeedStile FLs in full action?
 Scan this QR code with your smartphone.
 Or search for "SpeedStile FLs" on YouTube.

Gunnebo SpeedStile FLs



Take advantage of our knowledge:
www.gunneboentrancecontrol.com

GUNNEBO®