



Rack-End Protection - GOLF

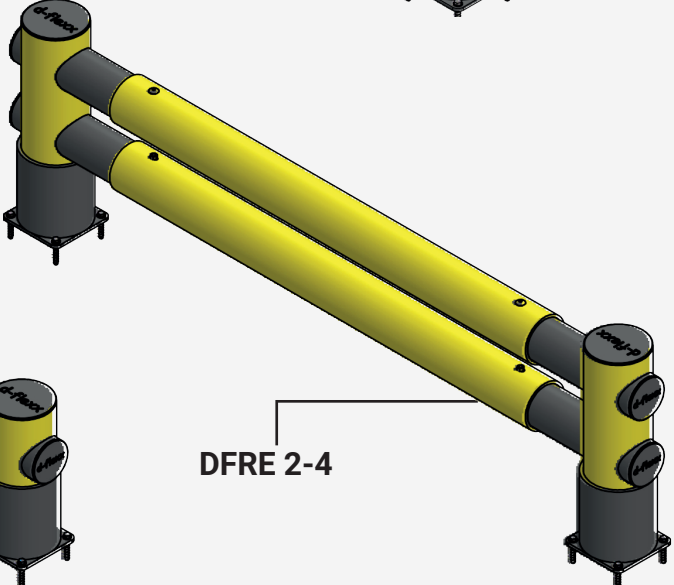
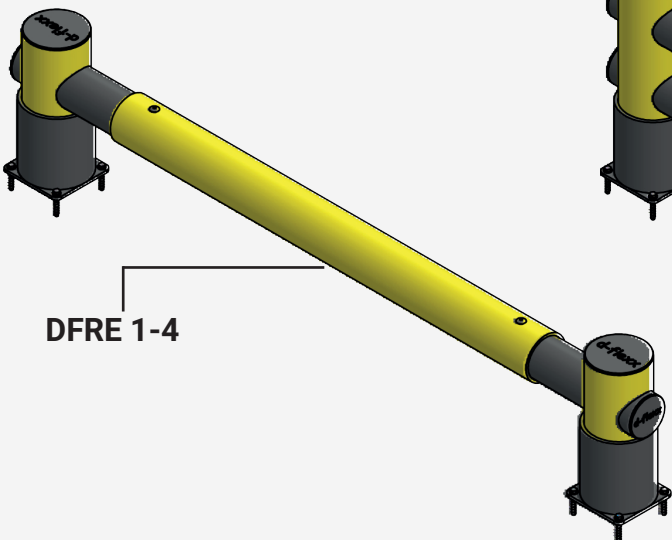
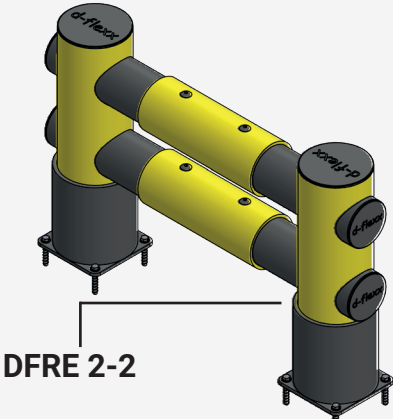
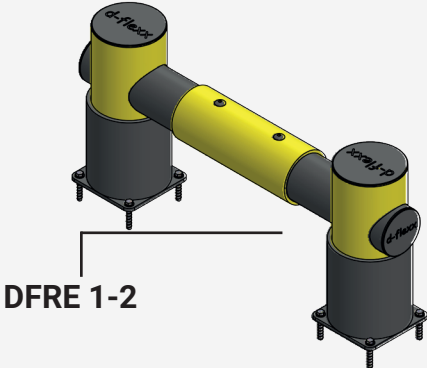


Table of contents

Art. No.	Description	Width	Weight	Page
DFRE1-2	Rack end protection, single rail	1137 mm	31,52 kg	3
DFRE1-4	Rack end protection, single rail	2538 mm	26,2 kg	3
DFRE2-2	Rack end protection, double rail	1137 mm	43 kg	4
DFRE2-4	Rack end protection, double rail	2538 mm	28,6 kg	4

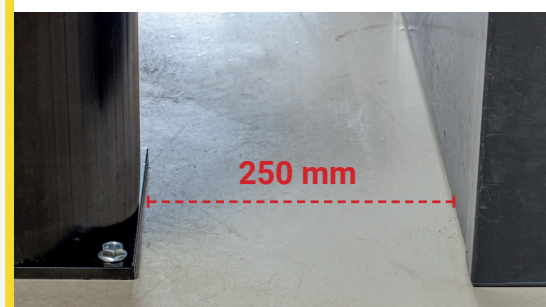
Technical Information

Material properties

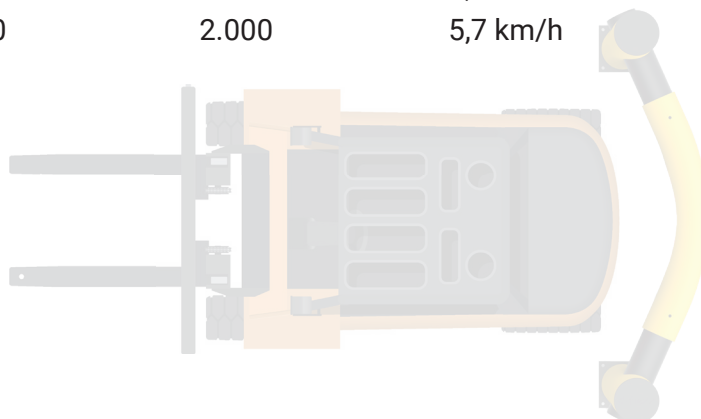
Operational temperature range	-40° up to + 50°
Ignition Temperature	350 - 360°C
Flash Point	350 - 360°C
Toxicity	Nontoxic
Chemical Resistance	high - ISO/TR 10358
Hygiene Seals	Non
Standard Warranty	5 years

Deflection Zone:

I 250 mm

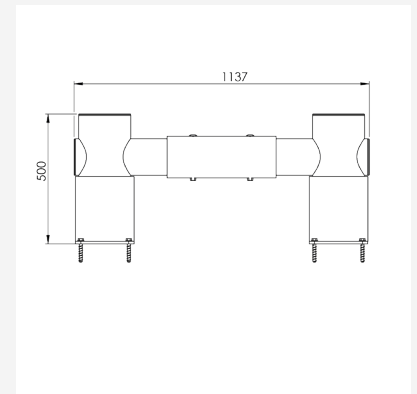


Impact Test	Tested to withstand force of (Joule)	Vehicle weight equivalent (kg)	Vehicle equivalent speed (km/h)	Equivalent angle of impact	Deflection zone
DFRE1-2	8.000	5.000	7,2 km/h	90°	250 mm
DFRE1-4	7.000	2.000	5,7 km/h	90°	250 mm
DFRE2-2	11.000	5.000	7,2 km/h	90°	250 mm
DFRE2-4	13.000	2.000	5,7 km/h	90°	250 mm



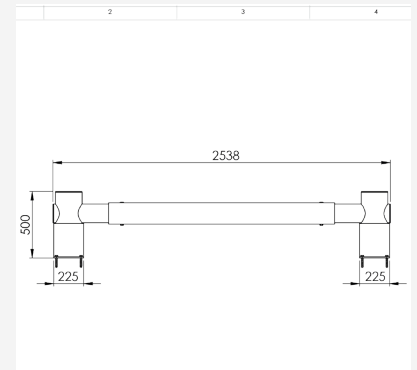
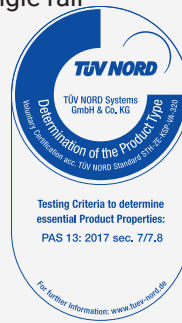
DFRE1-2

Article description	Rack end protection, single rail
Item number	DFRE1-2
EAN	4250912311350
Customs tariff number	39269097
Width (mm)	1137
Height (mm)	515
Depth/Length (mm)	225
Installation width (mm)	1137
Width without foot plate (mm):	1137
Depth without foot plate (mm):	225
Deflection zone (mm)	250
Tested to withstand force (Joule):	8.000 J
Net weight	31,52 kg
Material	Polyethylene
Color	Yellow RAL 1018 - black
Area of application	Indoor and outdoor use
Fixing	Fixing Material included. 8 x concrete screw M12x80



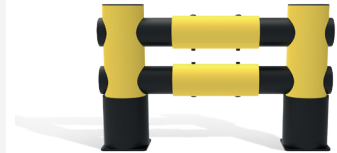
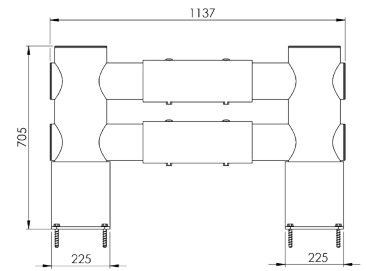
DFRE1-4

Article description	Rack end protection, single rail
Item number	DFRE1-4
EAN	4250912311367
Customs tariff number	39269097
Width (mm)	2538
Height (mm)	500
Depth/Length (mm)	225
Installation width (mm)	2538
Width without foot plate (mm):	2538
Depth without foot plate (mm):	225
Deflection zone (mm)	250
Tested to withstand force (Joule):	7.000 J
Net weight	26,2 kg
Material	Polyethylene
Color	Yellow RAL 1018 - black
Area of application	Indoor and outdoor use
Fixing	Fixing Material included. 8 x concrete screw M12x80



DFRE2-2

Article description	Rack end protection, double rail
Item number	DFRE2-2
EAN	4250912311374
Customs tariff number	39269097
Width (mm)	1137
Height (mm)	715
Depth/Length (mm)	225
Installation width (mm)	1137
Width without foot plate (mm):	1137
Depth without foot plate (mm):	225
Deflection zone (mm)	250
Tested to withstand force (Joule):	11.000 J
Net weight	43 kg
Material	Polyethylene
Color	Yellow RAL 1018 - black
Area of application	Indoor and outdoor use
Fixing	Fixing Material included. 8 x concrete screw M12x80



DFRE2-4

Article description	Rack end protection, double rail
Item number	DFRE2-4
EAN	4250912311381
Customs tariff number	39269097
Width (mm)	2538
Height (mm)	716
Depth/Length (mm)	225
Installation width (mm)	2538
Width without foot plate (mm):	2538
Depth without foot plate (mm):	225
Deflection zone (mm)	250
Tested to withstand force (Joule):	13.000 J
Net weight	28,6 kg
Material	Polyethylene
Color	Yellow RAL 1018 - black
Area of application	Indoor and outdoor use
Fixing	Fixing Material included. 8 x concrete screw M12x80

