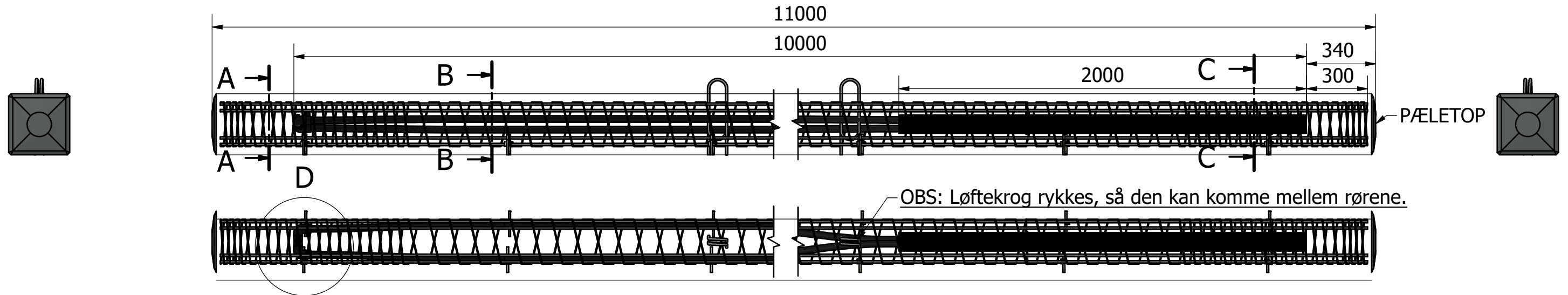
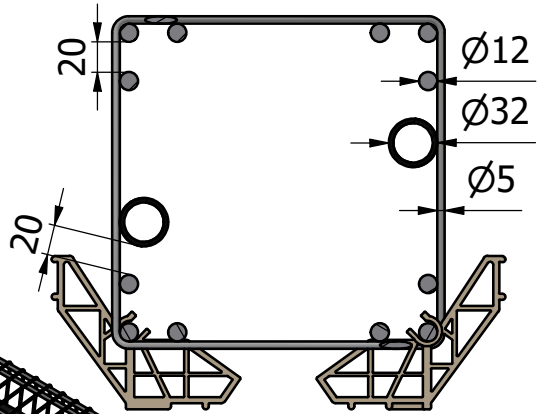


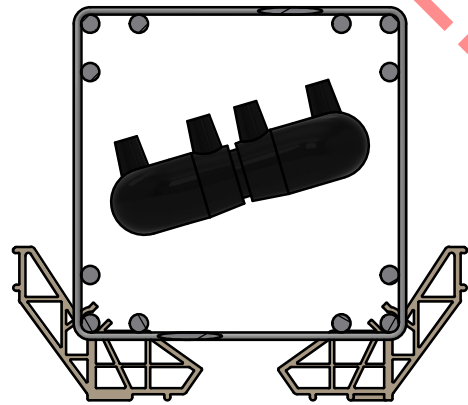
Rev	Description	Date	Approved
0.1	Released to manufacturing	29-10-2021	David



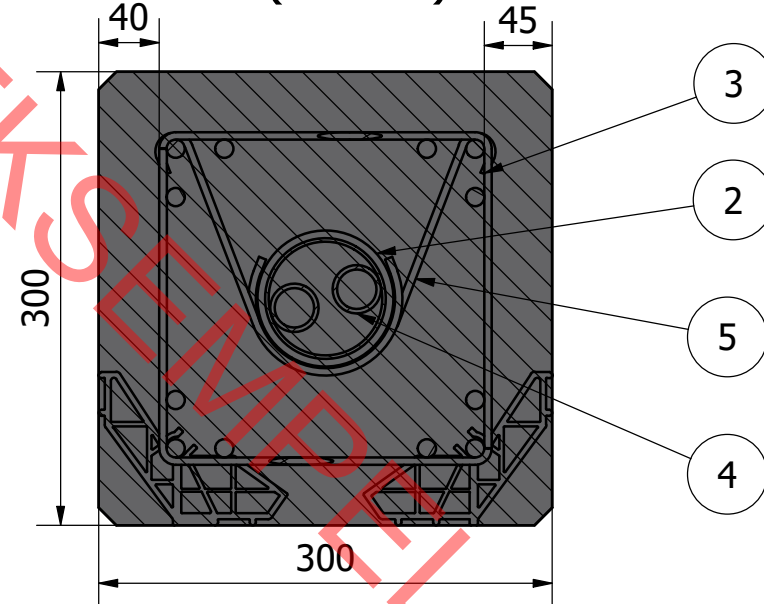
A-A (1 : 5)



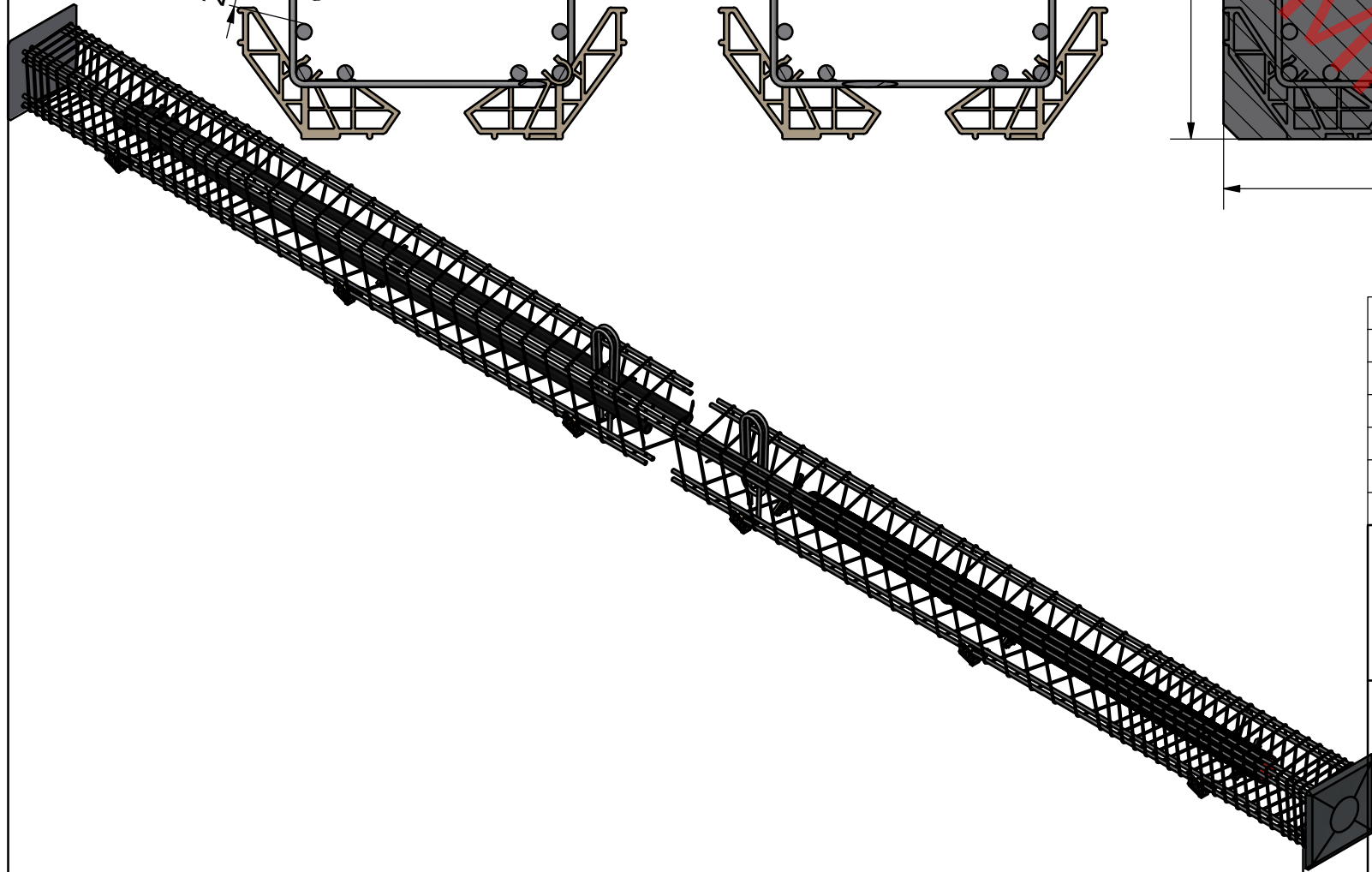
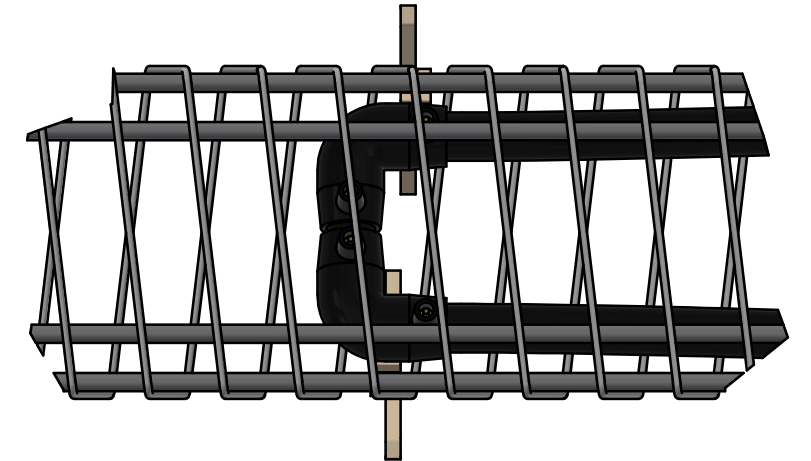
B-B (1 : 5)



C-C (1 : 5)



D (1 : 5)



Parts List

Item	Qty	Drawing no.	Description	Material	Rev. no.
1	1	108280	PE-rør 32x2mm l=100mm	PE rør	0
2	1	108277	Ø90x75mm kabelrør l=20000mm	PE rør	0
3	1	108274	30x30 T12 L=11m 40mm CC, standard pile	Ø12mm B500	0
4	1	108271	Ø32x3 PE-rør	PE rør	0
5	4	106376	Bøjle til beskyttelsesrør- 300x300-40	S235	0

This drawing must not be passed on to or made use of by any person not authorized by Centrum Pæle A/S



Projektion:		DS/ISO 2768: m
Drawing size:	A3	Date
Scale:	1 : 20	Designer
Unit:	mm	Drawer
		Date
		Designer
		Drawer

Energy pile

30x30, T12, 11m pæl, 40mm CC, 10m energirør, 2m beskyttelse

Weight	
Material	
Sparepart	

108269	Revision
Sheet 1 / 1	0.1