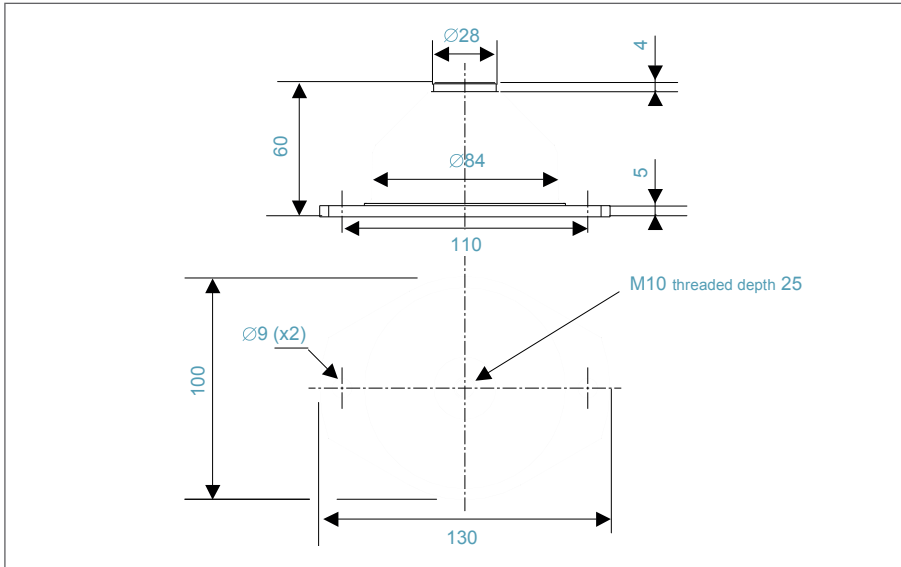


# LOW FREQUENCY ELASTOMER MOUNTS: **BF**

DEFINITION  
**series BFB**



- Multidirectional anti-vibration/shock mounts.
- Displacement under shock up to 30mm.
- Transmissibility :  $Q < 6$ .
- Maximum static loading 3g.
- Resonant frequency between 8 and 14Hz (\*).
- Max peak output at resonance up to 1,25mm.
- Temperature range: -30°C +100°C.
- Great adaptability / versatility.

**SPECIALS ON REQUEST**  
(materials, size and interfaces, etc.).

Dimensions are in mm. For reference only.

SERIE
Materials and finishes
<b>BFB</b>
<b>Elastomer:</b> polychloroprene
<b>Top and bottom interfaces:</b> corrosion protected steel
Other materials on request

LOAD	static load (daN)		axial stiffness	mass
	capability	mini	maxi	(N.mm <sup>-1</sup> )
1	15	45	85	0,60
2	30	70	145	
3	50	120	250	

EXAMPLE  
BFB2



**PREFIX:**  
'low frequency' mount  
from the **BFB** series

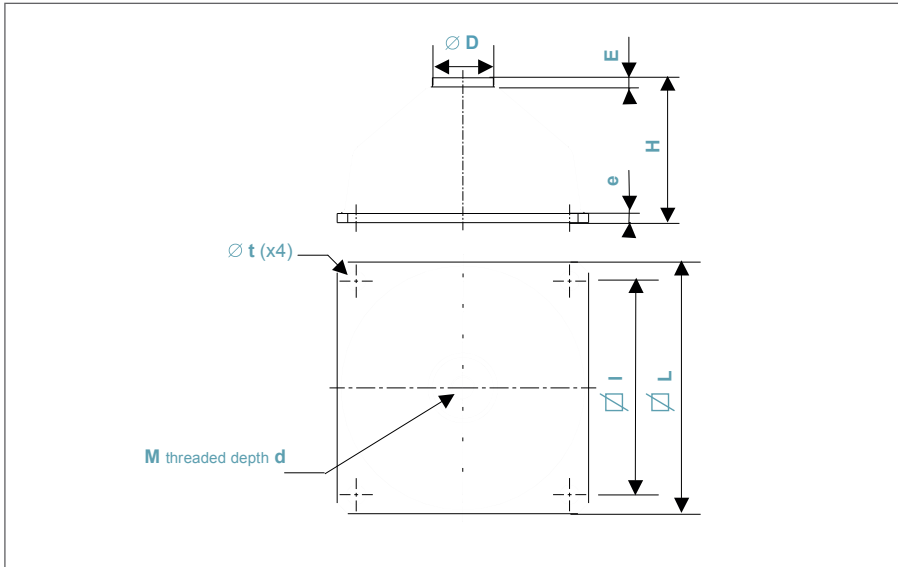
**MODEL: 2**  
min static load: 30 daN  
max static load: 70 daN  
axial average stiffness:  
145 N.mm<sup>-1</sup>



(\* ) Note: Resonant frequency between 6 and 12Hz along radial direction.

# LOW FREQUENCY ELASTOMER MOUNTS: **BF**

DEFINITION  
**series BFC**



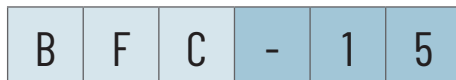
- Multidirectional anti-vibration/shock mounts.
- Displacement under shock up to 38mm (\*).
- Transmissibility :  $Q < 10$ .
- Maximum static loading 3g.
- Resonant frequency between 5 and 10Hz.
- Max peak output at resonance up to 2mm.
- Temperature range :  $-30^{\circ}\text{C} +100^{\circ}\text{C}$ .
- Great adaptability / versatility

**SPECIALS ON REQUEST**  
(materials, size and interfaces, etc.).

Dimensions are in mm. For reference only.

SERIE	DIMENSIONS & LOAD										static load (daN)		axial stiffness	mass
	model	H	L	I	e	D	E	t	M	d	mini	maxi	( $\text{N}\cdot\text{mm}^{-1}$ )	(kg)
<b>BFC</b> Elastomer: polychloroprene Top and bottom interfaces: corrosion protected steel  Other materials on request	-11	95	165	138	6	50	5	13	M16	30	30	100	85	2,0
	-12										40	140	120	
	-13										50	180	150	
	-14										70	240	210	
	-15										100	380	310	
	-16										150	500	470	
	-27	113	220	180	10	76	2	17,5	M30	46	180	700	600	9,0
	-28										220	900	800	
	-29										300	1200	1100	

EXAMPLE  
BFC-15



**PREFIX:**  
'low frequency' mount  
from the **BFC** series

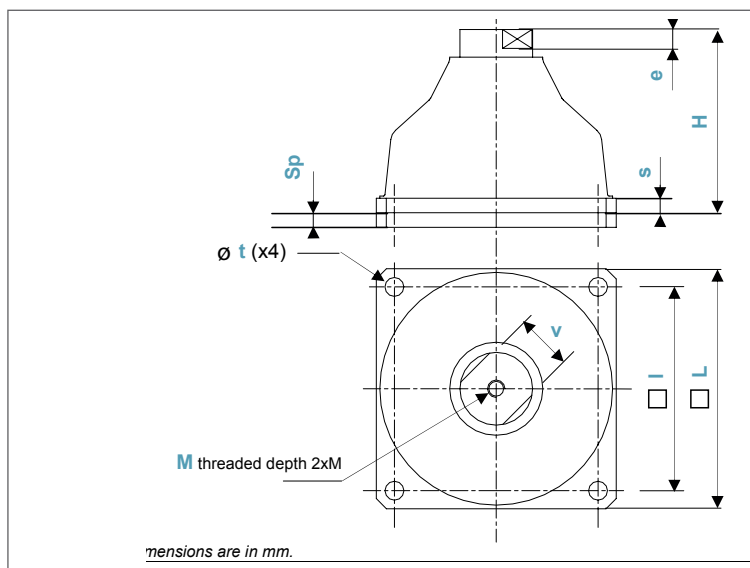
**MODEL: -15**  
height: 95mm  
width: 165mm  
interface: M16  
min static load: 100 daN  
max static load: 380 daN  
axial stiffness: 310  $\text{N}\cdot\text{mm}^{-1}$



(\* ) Note: Displacement on radial direction limited to 15mm under shock for model -27, -28 & -29

# LOW FREQUENCY ELASTOMER MOUNTS: **BF**

DEFINITION  
**series BF45**



- Multidirectional anti-vibration/shock mounts.
- Displacement under shock from 45 to 70mm.
- Transmissibility :  $Q < 10$ .
- Resonant frequency 6Hz for normal load.
- Temperature range:  $-30^{\circ}\text{C}$   $+90^{\circ}\text{C}$ .
- Great adaptability / versatility.

### SPECIALS ON REQUEST

(materials, size and interfaces, etc.).

Dimensions are in mm. For reference only.

SERIE	DIMENSIONS & LOAD										nom. load (daN)	axial stiffness (N.mm <sup>-1</sup> )	mass (kg)
	model	H	L	l	e	v	t	M	s	Sp			
<b>BF45</b> Elastomer: polychloroprene Top and bottom interfaces: salt fog anti corrosion paint or Zinc-Coated Metal Parts Other materials on request	-30	100	150	114	10	27	9	M10	5	-	30	25	1,2 (2,3) (3,5)
	-45										45	35	
	-60										60	50	
	-85										85	65	
	-110										110	85	
	-130	130	100	-	(10) (25)								
	-170	170	130										
	-230	230	175										
	-320	320	230										
	-425	425	230										
-500 -625 -800 -1080	500	154	250	210	14	41	18	M24	15	-	500	400	3,4 (3,8) (4,7)
	625										500		
	800										650		
	1080										840		

EXAMPLE  
BF45-230e15

B	F	4	5	-	2	3	0	e	1	5
---	---	---	---	---	---	---	---	---	---	---

SPACER: e15  
thickness: 15mm

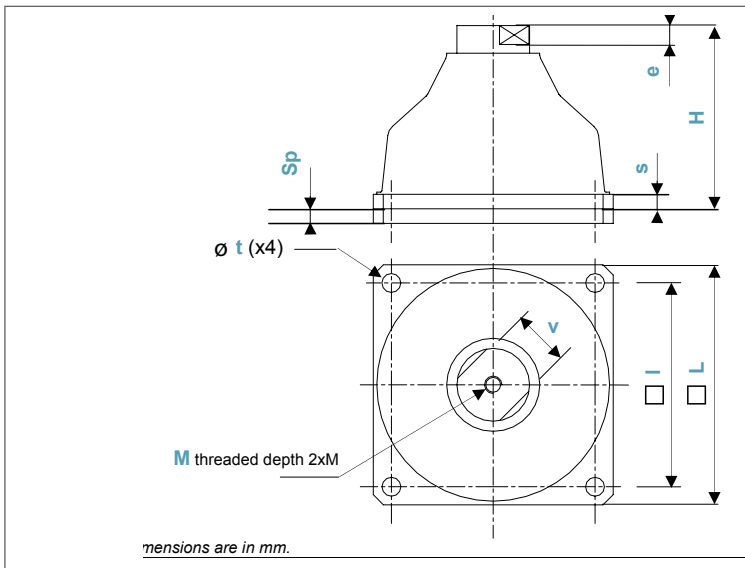
**PREFIX:**  
'low frequency' mount from the BF45 series

**MODEL: -230**  
height: 126mm  
width: 165mm  
interface: M20

nom. load: 230 daN  
axial average stiffness: 175 N.mm<sup>-1</sup>



# LOW FREQUENCY ELASTOMER MOUNTS: **BF** series **BFN45** DEFINITION



- Multidirectional anti-vibration/shock mounts.
- Displacement under shock from 45 to 55mm.
- Transmissibility :  $Q < 10$ .
- Resonant frequency 5 Hz for nominal load.
- Temperature range :  $-30^{\circ}\text{C}$   $+70^{\circ}\text{C}$ .
- Great adaptability / versatility.

**SPECIALS ON REQUEST**  
(materials, size and interfaces, etc.)

Dimensions are in mm. For reference only.

SERIE	DIMENSIONS & LOAD										nom. load (daN)	axial stiffness (N.mm <sup>-1</sup> )	mass (kg)
Materials and finishes	model	H	L	l	e	v	t	M	s	Sp			
<b>BFN45</b> Elastomer: natural rubber Top and bottom interfaces: salt fog anti corrosion paint Other materials on request	-30	100	150	114	10	27	9	M10	5	-	30	25	1,2 (2,3)
	-45										45	40	
	-60										60	50	
	-85										85	65	
	-110										110	85	
	-130	130	100	-	170	130	3,4 (3,8)						
	-170	170	130										
	-230	230	175										
	-320	320	210										
	-425	425	290										
	-500	154	250	210	14	41	18	M24	15	-	500	400	12,5
	-625										625	500	
	-800										800	650	
	-1080										1080	840	

**EXAMPLE**  
BFN45-110e10

B	F	N	4	5	-	1	1	0	e	1	0
---	---	---	---	---	---	---	---	---	---	---	---

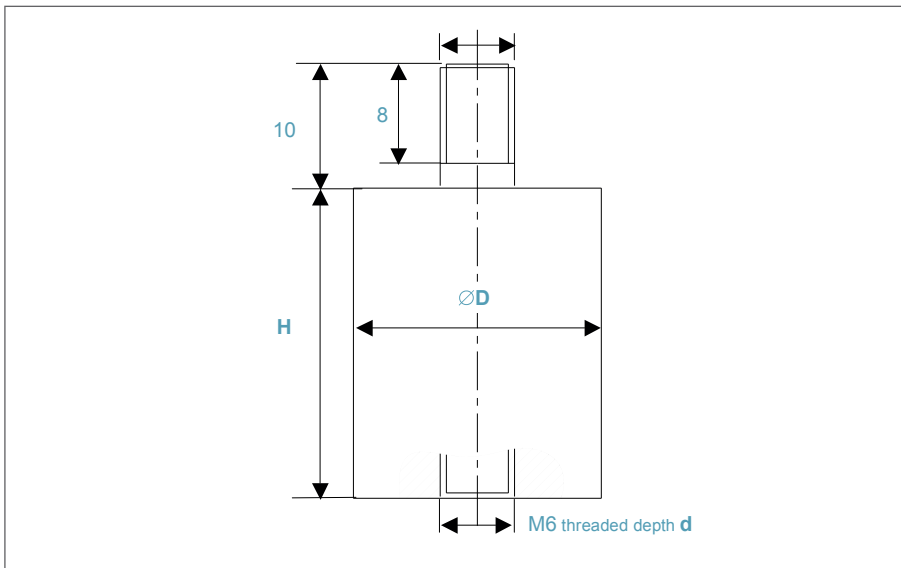
SPACER: e10  
thickness: 10mm

**PREFIX:**  
'low frequency' mount from the BFN45 series

**MODEL: -110**  
height: 100mm  
width: 150mm  
interface: M10

nom. load: 110 daN  
axial average stiffness:  
85 N.mm<sup>-1</sup>





- Large displacement multidirectional isolators.
- Transmissibility :  $Q < 5$ .
- Reduced volume.
- Temperature range:  $-50^{\circ}\text{C}$   $+120^{\circ}\text{C}$ .
- Structure-born noise and electrical isolation.
- No metal continuity.
- Great adaptability / versatility.

**SPECIALS ON REQUEST**

(materials, size and interfaces, etc.)

Dimensions are in mm. For reference only.

SERIE
Materials and finishes
<b>PC31</b>
<b>Elastomer:</b> high mechanical characteristics silicone
<b>Metal ends:</b> zinc/nickel plated steel

MODEL				
	diameter d (mm)	height h (mm)	depth d (mm)	mass (kg)
25	20	25	5	0,04
35	25	35	7	0,05
50	25	50	7	0,06

HARDNESS			
in shore A	40	50	60
Model			
	-40	-50	-60

EXAMPLE  
PC3135-50

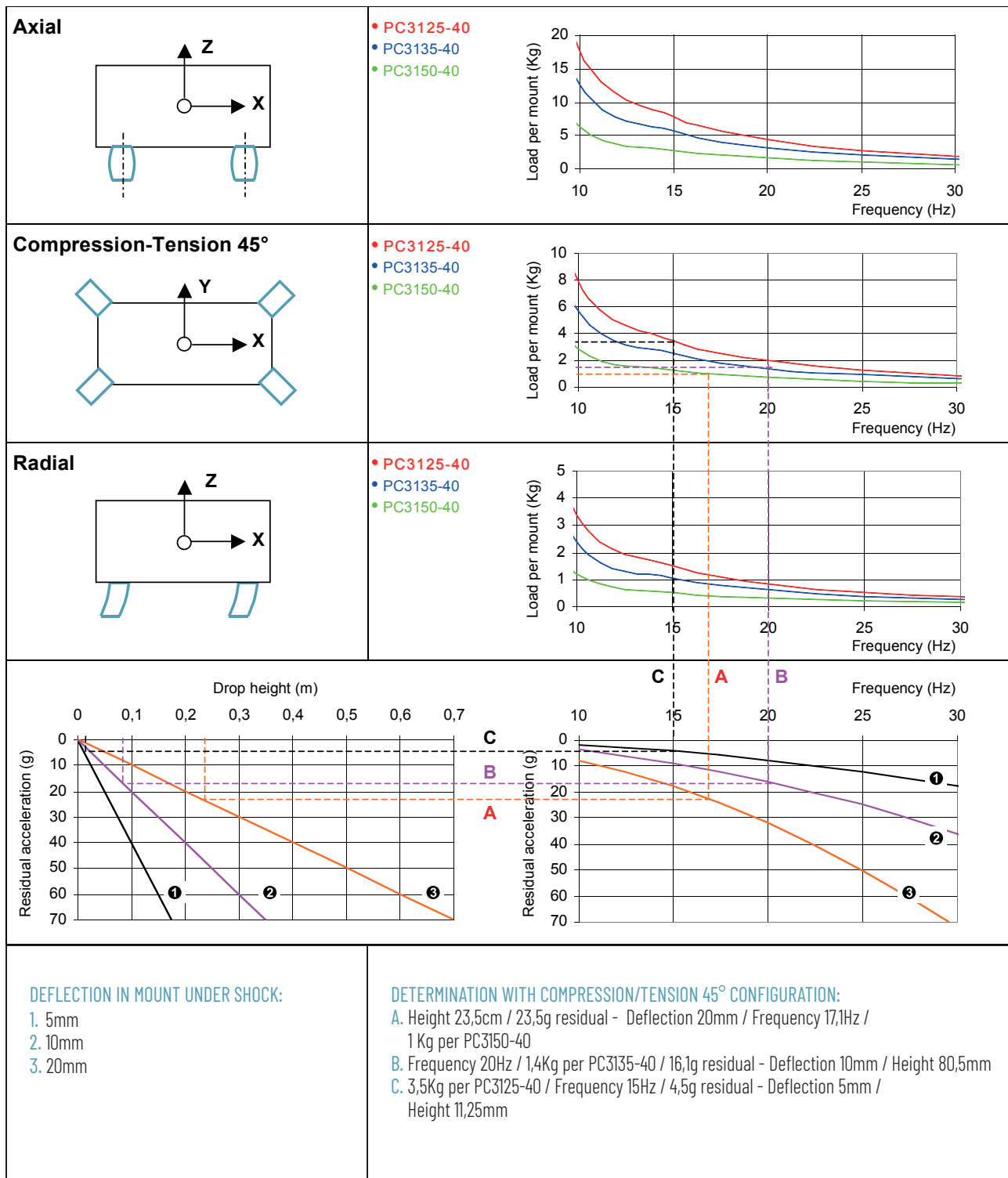


**PREFIX:**  
'container' mount from the **PC31** series

**MODEL: 35**  
diameter: 25mm  
height: 35mm  
threaded depth: 7mm  
mass: 0,05kg

**SUFFIX: -50**  
Hardness 50 shore A





## TYPICAL SHOCK / VIBRATION SPECIFICATIONS:

### Shock and Vibration

#### Ground Forces

GAM EG13A, SEFT 001, MIL-STD-810, VG 95332.

#### Air

AIR 7306, MIL-E-5400, MIL-C-172, MIL-STD-810.

#### Marine

GAM EG13C, IT25-21/96-31/15-86, MIL-S-167, MIL-S-901, STANAG 042, BV 043.73, BV 044.

#### Others

GAM EMB1, GAM EMBT4, DEF STAN 07-55, IEC 571, FINABEL 2C.

