

# CountCAM-MED



2018/1

## Counting with camera based sensor

CountCAM is the natural choice if you are looking for an easy to use, good quality counting system, which is easy to install.

CountCAM is the successor for Dancount's well proven CountSCAN traffic counter unit, adding improved counting features and flexibility to CountSCAN's easy mounting and use.

CountCAM is fully integrated with Dancount's CountWEB portal.



## CountCAM Master Ethernet Display - CC-MED

- Camera based counting
- Good quality counting > 95% accuracy (with correct use)
- Counting multiple people passing in both directions at the same time
- Easy to implement - even for single shop
- Easily mounted by local workforce
- Built-in memory and time stamping
- Remote support - Remote adjustment by Dancount
- Flexible mounting - Standard version covers heights from 2.5 to 7.5 meters
- Only one cable to the unit - supply by Power over Ethernet "PoE"
- Built-in info display makes installation and connection easy
- Ships ready for use
- CountWEB ready

## CountWEB portal

All Dancount units connect to Dancount's CountWEB Portal on Internet.

CountWEB offers access to "live" counts from all connected units.

Fully supports world-wide organizations - counters in >74 countries and rising.

Easy and very accurate assigning of access rights to users.

"Unlimited" number of users/zones (shops/doors).

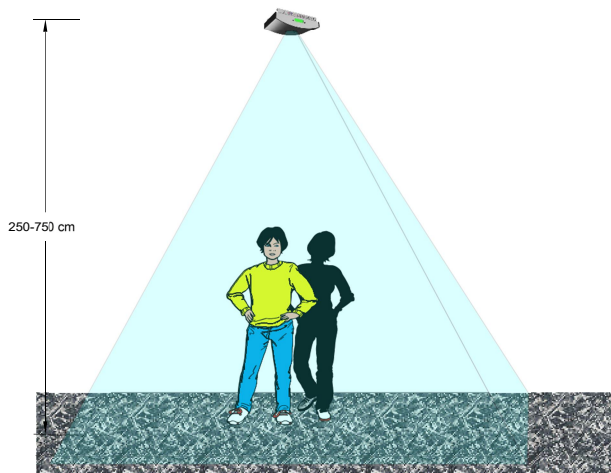
Easily configured mail reports, own standards.

Export page for easy transferring of data to own organization.



# CountCAM-MED

## Technical information



### Mounting height

CC-MED is a very flexible unit. Information about height/coverage for the different types listed in table below.

For optimal counting, the area where people are moving freely in or out, not standing still or in queue should be selected as the counting area. Moving objects in this area should be avoided.

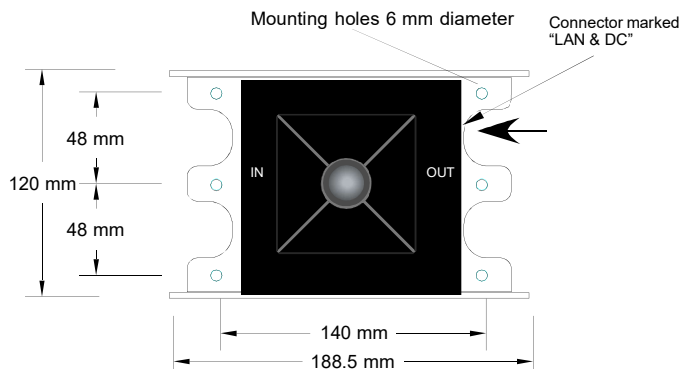
All measurements are centimetres

Type	Install height:	250	300	350	400	450	500	550	600	650	700	750	800	850	900	950	1000
CC-MED	covers:	225	300	375	475	550	625	725	800	875	975	1050					
CC-MED-L	covers:	275	375	500	600	700	800	925	1025								
CC-MED-H	covers:	150	200	275	325	375	450	500	550	625	675	725	800	850	900	975	1025

### Technical data

Counting accuracy	>95% (accuracy can be affected by local conditions)
Sensortype	CMOS Camera
Range	Mounting height and coverage, see table above
Ports	Ethernet/PoE Serial (RS485) Expansion
Ethernet	10/100 Mb
Internal clock	Yes
Settings	Done by Dancount via remote
Memory	Approx 2 weeks of data
Battery	For clock and memory: CR2032
Power	PoE (IEEE 802.3af) ~ 5 Watt
Display	2 * 16 char LCD w. automatic backlight
Material	Anodized aluminium
Weight	Unit alone 520 g Package 1180 g – containing: CC-MED, PoE supply, patch cables (2 x 1m, 1 x 5m)
Measurements	See below

### Measurements



**DANCOUNT** ApS  
Denmark  
Tel. +45 7022 1234  
Fax +45 7022 5678  
www.dancount.com  
info@dancount.com

